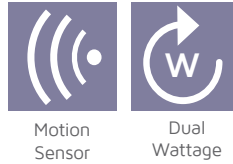
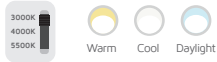


LED IP54 CIRCULAR LUMINAIRES

0%, 10% or 25% Standby Mode Microwave Motion Sensor 14W (1400lm) / 20W (2000lm)



Tri-Colour

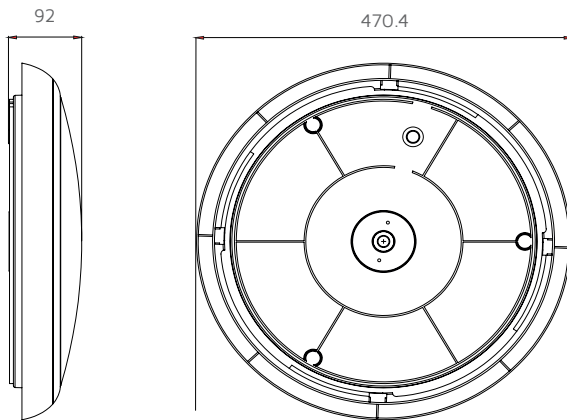


Motion Sensor

Dual Wattage

IES Data Files available

DIMENSIONS



All units are in mm

TYPICALLY REPLACES

- 28W 2D compact fluorescent lamp
- 56W 2D compact fluorescent lamp

KEY DATA

Power	14W / 20W
Luminous Flux 14W	1350lm / 1440lm / 1330lm
Luminous Flux 20W	1900lm / 2000lm / 1900lm
Colour Temperature	3000K / 4000K / 5500K
IP Rating	IP54
Dimensions	ø470 x 92mm
Warranty	5 Years (Registration Required)

Part Number

NET-11-06-35

FEATURES & BENEFITS

- Dual Wattage driver allows a choice between 14W and 20W at the time of installation.
- Selectable 3000K, 4000K or 5500K colour temperature via switch.
- Durable IP54 rated housing.
- Polycarbonate body and diffuser.
- 0%, 10% or 25% standby mode.
- Compliant with EN 60598-2-1.

TECHNICAL SPECIFICATIONS

Input Voltage AC	220-240V
Power Factor	>0.9
Luminaire Efficacy	100lm/W
LED Manufacturer	Honglitrionic
LED Type	SMD2835
No. of LEDs	78 x 2
Driver Manufacturer	Merrytek
Driver Output Voltage DC	36-42V
Total Circuit Power (W)	14W / 20W +/-1.5W
Electrical Class	2
Colour Rendering	>80 CRI
Lamp Viewing Angle	115°
Dimmable	No
Operating Temp.	-15°C to +45°C
Lifespan _{L80}	50,000 Hours
Fire Rating	V-2
UGR Rating	More Than 19
Diffuser Material	Polycarbonate
Housing Material	Polycarbonate
Housing Colour	White
Weight	1.9Kg