

### Safety Information

> All electrical work must be undertaken by a qualified contractor to ensure compliance with latest edition BS7671 and IEE/IET wiring regulations.

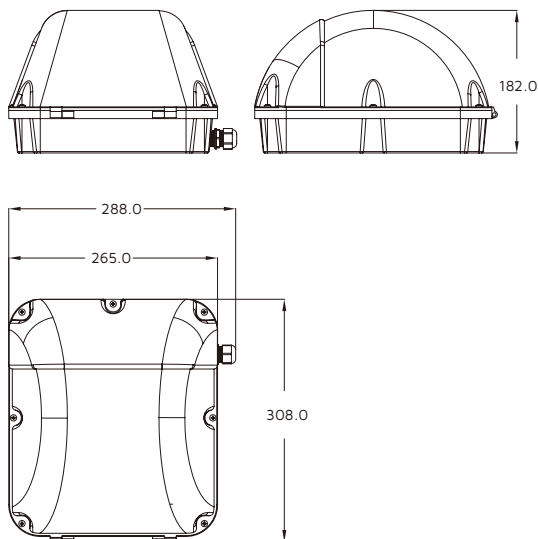
> Before installing an LED Wall Pack or doing any maintenance, ensure power supply is turned off at the circuit breaker or fuse box.

> This product is designed for permanent connection to fixed wiring; the circuit should be protected with the appropriate MCB or fuse.

### Environment

> Please DO NOT dispose of electrical items or packaging as unsorted waste. Use the recycling facilities provided by your local authorities.

### PRODUCT DIMENSIONS



### Important Warranty Information

The LED Wall Pack has a 3 year warranty, which can be extended free of charge to 5 years by registering online via the website address below. The registrant must provide the product part number and date of manufacture, which can be found on the label attached to the luminaire housing.



theLIA  
MEMBER



ISO9001-2008  
FS 590684



ISO9001-2004  
FMS 590685

NET LED Limited  
Buckingway Business Park  
300 Anderson Road  
Cambridge  
CB24 4UQ UK  
sales@netled.co.uk  
www.netled.co.uk

Technical Helpline: 01223 851505  
Email: support@netled.co.uk

Drawing No: NET-11-11-41-IG\_V1  
www.netled.co.uk/downloads

Distributed by

# NET LED LIGHTING LED WALL PACK INSTALLATION GUIDE

## WALL PACK NET-11-11-41

### KEY DATA

Light Source:	LED
Power (W):	40
Luminous Flux (3000K):	2840lm
Luminous Flux (4000K):	3280lm
Luminous Flux (5500K):	2910lm
Luminous Efficacy:	>80lm/W
Colour Temperature:	Tri-colour 3000/4000/5500K
Colour Rendering:	>80CRI
Housing Material:	Aluminium
Diffuser Material:	Polycarbonate
IP Rating:	IP65
Manufacturer:	Toppo Lighting



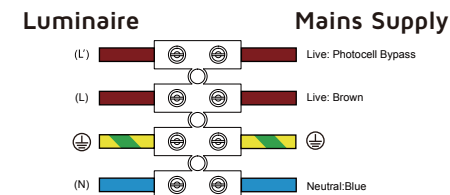
### SUPPLY/EARTH CLASS

220-240V AC 50/60 Hz



Class I

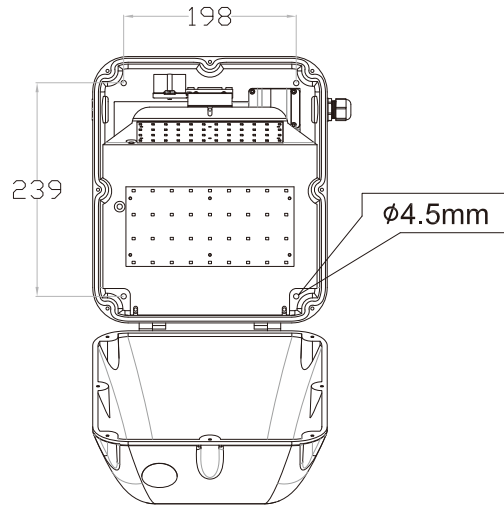
Fig.1 Mains Input Termination



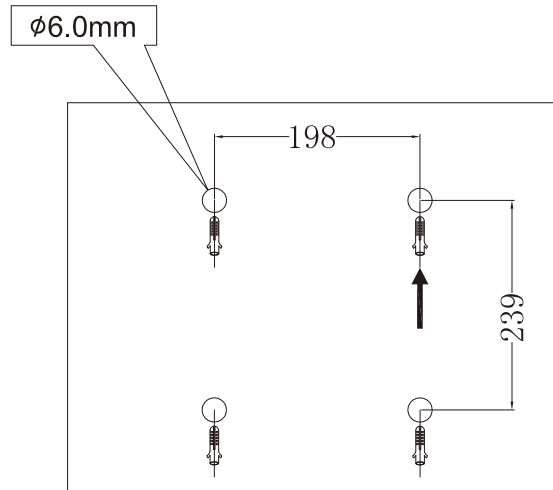
**Installation procedure:** Carefully read the installation instructions and ensure the mains supply is isolated before installation. Please follow the safety information overleaf before carrying out any installation. Please retain this leaflet for future reference.

### Wall Pack Installation

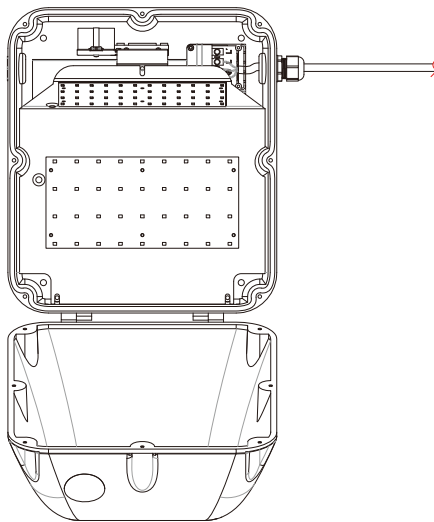
**Step 1:** To remove the Wall Pack cover, unscrew all seven fixing screws. Drill the marked mounting holes through the Wall Pack housing and map these holes against the mounting surface.



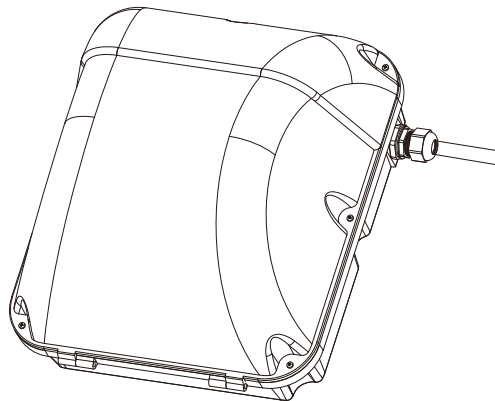
**Step 2:** Drill holes in the wall and insert suitable rawl plugs. Fix the Wall Pack to the wall - remember to use the waterproof O-rings supplied to maintain the IP65 rating of the Wall Pack.



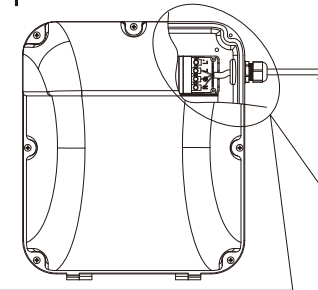
**Step 3:** Connect the mains supply to the internal terminal block through the waterproof gland (Wiring Diagram 1).



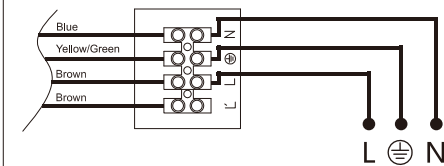
**Step 4:** Lock the Wall Pack cover in place using the 7 fixing screws. Turn on the power supply and test the Wall Pack is working properly.



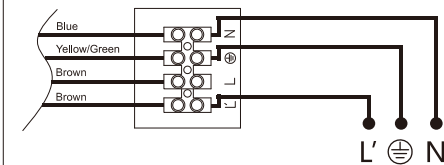
### Wiring Diagram 1



1. With photocell



2. Photocell Bypassed



**Note1:** A qualified electrician is required to carry out the electrical wiring.

Photocell sensor configuration

	1	2	3	4	open	close
I	ON	ON	ON	ON	5Lux	25Lux
II	ON	ON	ON	-	10Lux	50Lux
III	ON	ON	-	ON	25Lux	75Lux
IV	ON	ON	-	-	50Lux	100Lux
V	ON	-	ON	-	100Lux	200Lux
VI	ON	-	-	-	150Lux	300Lux
VII	-	ON	-	-	200Lux	400Lux
VIII	-	-	-	-	Disable	

ON ↑