

**Safety Information**

>All electrical work must be undertaken by a qualified contractor to ensure compliance with latest edition BS 7671 and IEE/IET wiring regulations.

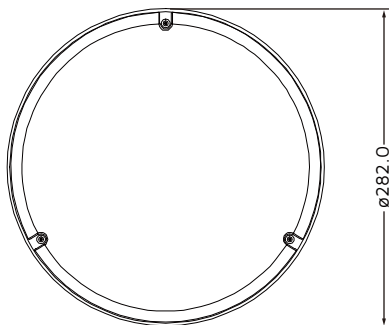
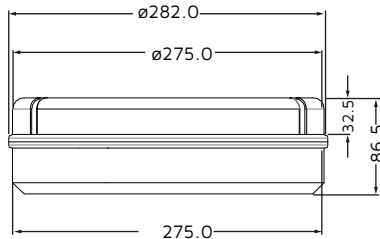
> Before installing a LED IP65 Bulkhead or doing any maintenance, ensure power supply is turned off at the circuit breaker or fuse box.

> This product is designed for permanent connection to fixed wiring; the circuit should be protected with the appropriate MCB or fuse.

**Environment**

> Please DO NOT dispose of electrical items or packaging as unsorted waste, use the recycling facilities provided by your local authorities.

**PRODUCT DIMENSIONS**



**Important Warranty Information**

The LED IP65 Bulkhead has a 3 year warranty. To claim you must provide the product part number and date of manufacture, which can be found on the label attached to the luminaire housing along with the original purchase invoice.

Manufactured in China by  
Toppo Co. Ltd.  
NET-11-06-5X

This luminaire contains built-in LED lamps.

LED

The lamps cannot be changed in the luminaire.

874/2012



NET LED Ltd.  
Buckingway Business Park  
300 Anderson Road  
Cambridge  
CB24 4UQ  
sales@netled.co.uk  
www.netled.co.uk

Technical Helpline: 01223 851505  
Email: support@netled.co.uk

Drawing No: NET-11-06-IG\_V1  
www.netled.co.uk/downloads

Distributed by



LED NEWTON  
IP65 BULKHEAD

**LED NEWTON IP65 BULKHEAD  
NET-11-06-5X**

**KEY DATA**

Light Source	LED
Power	16W
Luminous Flux (3000K)	1250lm
Luminous Flux (4000K)	1450lm
Luminous Flux (5500K)	1250lm
Luminous Efficacy	>110 lm/W
Colour Temperature	3000K, 4000K, 5500K
Colour Rendering	>80 CRI
IP Rating	IP65
Manufacturer	Toppo Lighting

**SUPPLY/EARTH CLASS**

220-240V AC 50/60 Hz

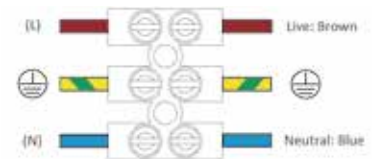


Fig.1 Mains Input Termination

Class I

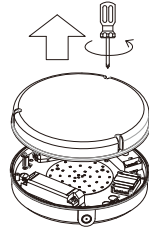
Luminaire

Mains Supply

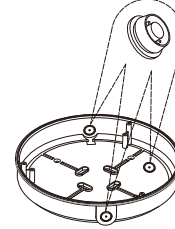


**Installation procedure:** Carefully read the installation instructions and ensure the mains supply is isolated before installation. Please follow the safety information overleaf before carrying out any installation. Please retain this leaflet for future reference.

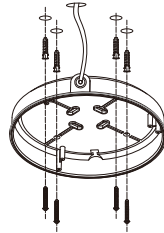
**Step 1:** Loosen the screws, then take off the cover.



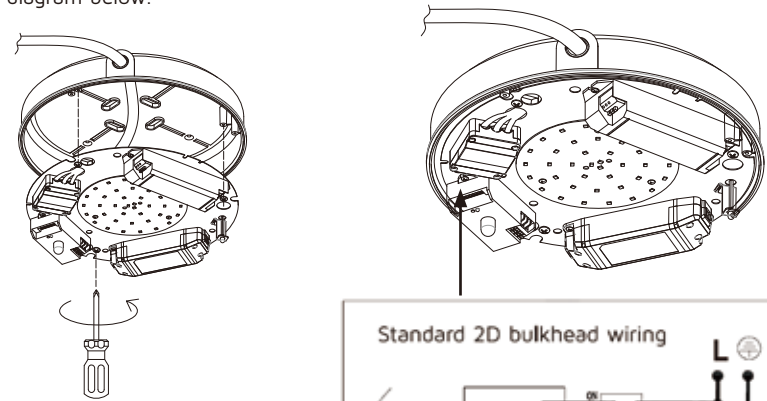
**Step 2:** Open the outlet hole and install the waterproof protective grommet. Feed the cable through the grommet.



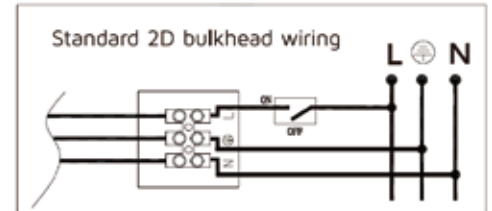
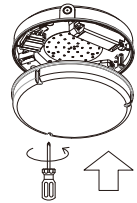
**Step 3:** Drill out the screw holes and fix the base to the mounting surface.



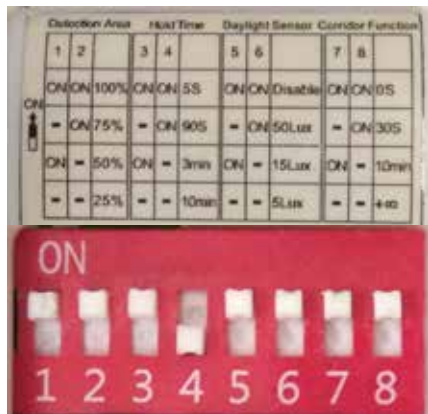
**Step 4:** Install the LED Gear Tray into the housing by fixing the three screws in place. Wire the Gear Tray as per the wiring diagram below.



**Step 5:** Fix the cover to the body with the screws provided.



**Microwave Motion Sensor Configuration** - These settings are only for the Bulkheads with Microwave Motion Sensor option.



Detection area can be changed by selecting the combinations below on the DIP switches. Maximum detection area 12m.

Refers to the time period the lamp remains at 100% illumination after no motion is detected.

The sensor can be set to only allow the lamp to illuminate below a defined ambient brightness threshold. When set to Disable mode, the daylight sensor will switch on the lamp when motion is detected regardless of ambient light level.

Refers to the time period the lamp remains at a low light level before it completely switches off in the long absence of people. When set to "+∞", the low light is maintained until motion is detected. When set to "0s", the light will turn off after hold time.

Detection Area				Full Brightness Hold Time		Daylight Sensor			10% Corridor Function Time		
ch1	ON	100%	ch3	ON	5S	ch5	ON	Disable	ch7	ON	Off/0s
ch2	ON		ch4	ON		ch6	ON		ch8	ON	
ch1	OFF	75%	ch3	OFF	90S	ch5	OFF	50Lux	ch7	OFF	30s
ch2	ON		ch4	ON		ch6	ON		ch8	ON	
ch1	ON	50%	ch3	ON	3min	ch5	ON	15Lux	ch7	ON	10min
ch2	OFF		ch4	OFF		ch6	OFF		ch8	OFF	
ch1	OFF	25%	ch3	OFF	10min	ch5	OFF	5Lux	ch7	OFF	Always On/+∞
ch2	OFF		ch4	OFF		ch6	OFF		ch8	OFF	

\*Default Set Up On Delivery