

LED HIGH POWER FLOOD LIGHT 150W 6000K 22790lm



Compatible accessories:



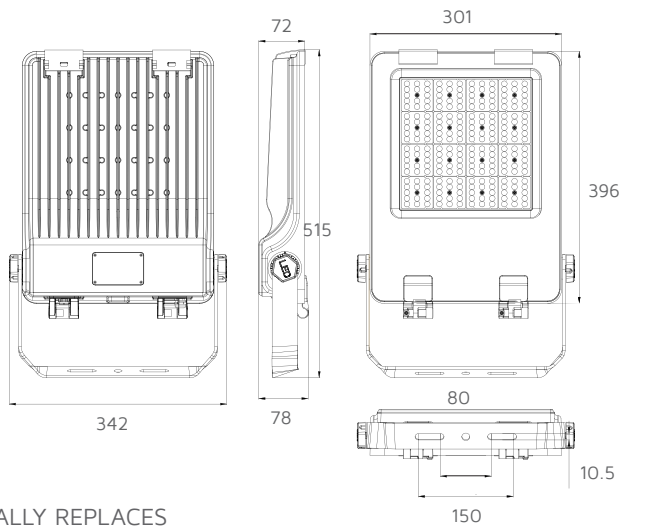
Microwave
Motion Sensor



Photocell
Sensor

IES Data Files available

DIMENSIONS



TYPICALLY REPLACES

- 250W/400W metal halide or SON.

All units are in mm



**Motion and
Photocell Sensor**

COMPATIBLE ACCESSORIES

Motion and Photocell Sensor

NET-42-04-39

Page 175

KEY DATA

Power	150W
Luminous Flux	22790lm
Colour Temperature	6000K
IP Rating	IP65
IK Rating	IK08
Dimensions	515 x 342 x 78mm
Warranty	5 Years (Registration Required)

Part Number

NET-23-04-13

FEATURES & BENEFITS

- Power in / power out.
- Breather valve allows heat to escape and prevents condensation.
- IP65 and IK08 protection.
- Tempered glass provides double protection and good self-clean.
- Complete with tamper-proof fixings.
- Excellent cooling performance that assures a long lifespan.
- Optional Motion and Photocell Sensor available.
- Compliant with EN 60598-2-5.

TECHNICAL SPECIFICATIONS

Input Voltage AC	100-270V
Power Factor	>0.90
Luminaire Efficacy	152lm/W
LED Manufacturer	Philips
LED Type	EMC 3030
No. of LEDs	224
Driver Manufacturer	Tomcarline
Driver Output Voltage DC	42V
Total Circuit Power (W)	150W +/-5%
Electrical Class	1
Colour Rendering	>70 CRI
Lamp Viewing Angle	90°
Dimmable	No
Operating Temp	-15°C to +45°C
Lifespan _{L80}	50.000 Hours
UGR Rating	27
Diffuser Material	Glass
Housing Material	Aluminum
Housing Colour	Black
Weight	7.2Kg