

Safety Information

> All electrical work must be undertaken by a qualified contractor to ensure compliance with latest edition BS 7671 and IEE/IET wiring regulations.

> Before installing an LED High Bay or doing any maintenance, ensure power supply is turned off at the circuit breaker or fuse box.

> This product is designed for permanent connection to fixed wiring; the circuit should be protected with the appropriate MCB or fuse.

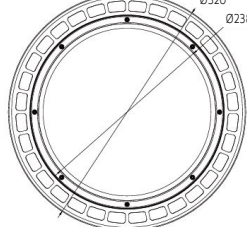
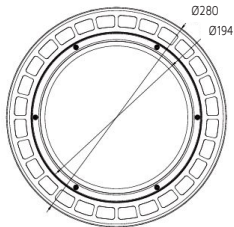
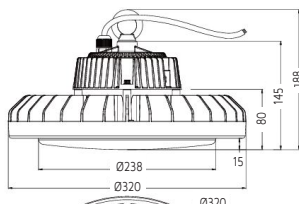
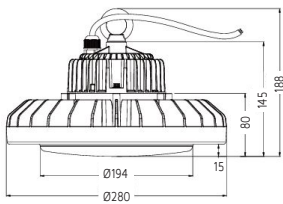
Environment

> Please DO NOT dispose of electrical items or packaging as unsorted waste. Use the recycling facilities provided by your local authorities.

PRODUCT DIMENSIONS

100W/150W

200W



All units are in mm

Important Warranty Information

The LED High Bay has a 3 year warranty, which can be extended free of charge to 5 years by registering online via the website address below. The registrant must provide the product part number and date of manufacture, which can be found on the label attached to the luminaire housing.

Manufactured in China by
FYT LED Co. Ltd.
NET-23-12-XX

This luminaire contains built-in LED lamps.

LED

The lamps cannot be changed in the luminaire.

874/2012



NET LED Ltd.
Buckway Business Park
300 Anderson Road
Cambridge
CB24 4UQ
sales@netled.co.uk
www.netled.co.uk

Technical Helpline: 01223 851505
Email: support@netled.co.uk

Drawing No: NET-23-12-IG_V1
www.netled.co.uk/downloads

Distributed by



LED HIGH BAY INSTALLATION GUIDE

LED HIGH BAY NET-23-12-XX

KEY DATA

| | | | |
|--------------------|---------------|---------|---------|
| Light Source | LED | | |
| Power | 100W | 150W | 200W |
| Luminous Flux | 14900lm | 21500lm | 29500lm |
| Luminous Efficacy | 140lm/W | 140lm/W | 140lm/W |
| Colour Temperature | 5000K | | |
| Colour Rendering | >70 CRI | | |
| Housing Material | Aluminium | | |
| Diffuser Material | Polycarbonate | | |
| IP Rating | IP65 | | |
| IK Rating | IK10 | | |
| Manufacturer | FYT | | |

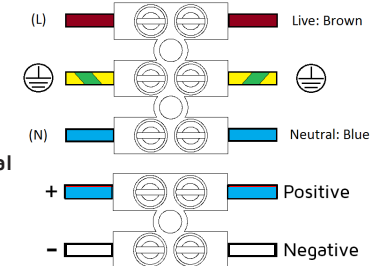
SUPPLY/EARTH CLASS

100-270V AC 50/60 Hz



Mains Input Termination

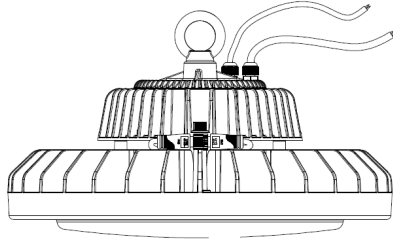
Luminaire Mains Supply



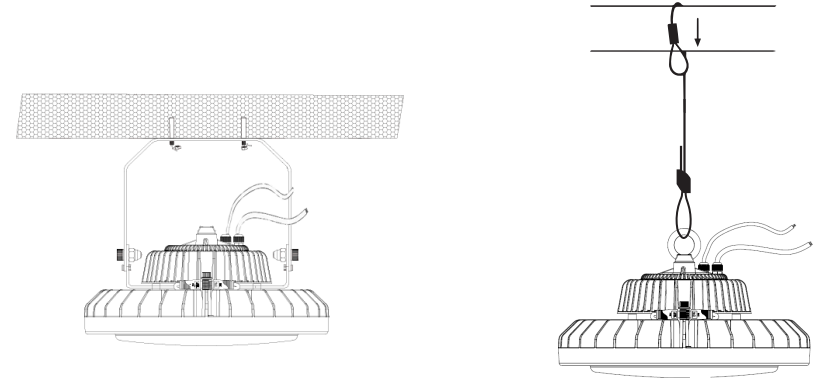
Installation procedure: Carefully read the installation instructions and ensure the mains supply is isolated before installation. Please follow the safety information overleaf before carrying out any installation. Please retain this leaflet for future reference.

High Bay Installation:

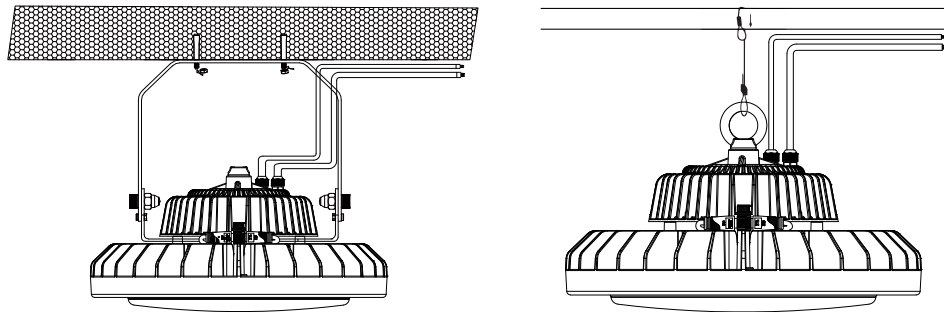
Step 1: Carefully remove the High Bay light from the packaging. Take out the eye bolt from the packaging and screw in tight on top of the High Bay.



Step 2: Mount the High Bay light to the ceiling using a bracket or a suitable suspension kit.

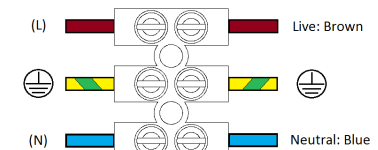


Step 3: Secure the supply cable using suitable clips. Ensure that the cable is not touching the body of the High Bay.

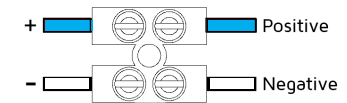


Step 4: Connect the cable to the mains as per the illustration below.

Mains Input Termination



1-10V Dimming Terminal



Accessories

Microwave Sensor

The light output can be automatically regulated according to motion and ambient light levels.

NET-42-43-08

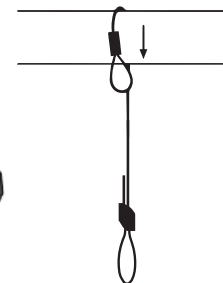


Accessories

Suspension Kit and Bracket

Suspension Kit
NET-46-16-06

Bracket
NET-23-16-07



Full product range available

Visit www.netled.co.uk for more commercial LED lighting products, including:

Panel Lights, Downlights, T5 and T8 Tubes, Linear Luminaires, 2D Bulkheads and retrofit Gear Trays, Non-Corrosive Luminaires and much more.