

LED HIGH BAYS
200W 5000K 29500lm



OPTION

3H

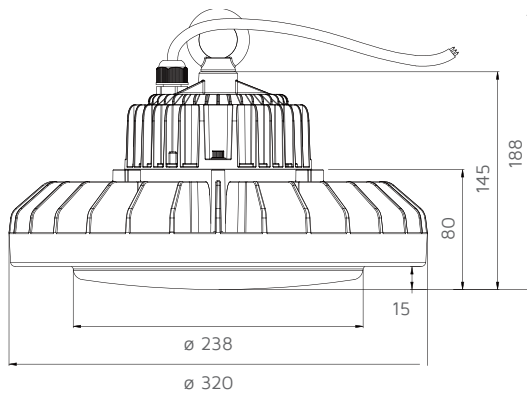
Emergency Function

1-10V

Dimmable as standard

IES Data Files available

DIMENSIONS



All units are in mm

TYPICALLY REPLACES

- 400W+ metal halide.
- 400W+ SON.

COMPATIBLE ACCESSORIES

High Bay Suspension Kit	NET-46-16-06	Page 259
Orwell upgrade to 60° Lens	NET-23-16-11	Page 197
Orwell upgrade to 90° Lens	NET-23-16-13	Page 197
Mounting Bracket	NET-23-16-07	Page 197
Merrytek IP65 Dimming Sensor	NET-42-43-08	Page 244
Emergency Pack 20W	NET-50-33-11	Page 197

KEY DATA

Power	200W
Luminous Flux	29500lm
Colour Temperature	5000K
IP Rating	IP65
IK Rating	IK10
Dimensions	ø320 x 188mm
Warranty	5 Years (Registration Required)

Part Number

NET-23-12-16

FEATURES & BENEFITS

- Highly efficient heat sink.
- Suspension ring for easy installation.
- 1m flex.
- Dimmable Driver as standard.
- Suitable for High Bay installation with optional 60 degree and 90 degree lenses.
- Suitable for Low Bay installation with wide beam angle.
- Mounting bracket available for ceiling mount.
- Compatible with Merrytek Daylight Sensor and IP65 Microwave Sensor.
- Compliant with EN 60598-2-1.

TECHNICAL SPECIFICATIONS

Input Voltage AC	100-270V
Power Factor	>0.95
Luminaire Efficacy	147lm/W
LED Manufacturer	Philips
LED Type	SMD3030
No. of LEDs	252
Driver Manufacturer	Tomcarline
Driver Output Voltage DC	42V
Total Circuit Power (W)	200W +/-5W
Electrical Class	1
Colour Rendering	>70
Lamp Viewing Angle	110°
Dimmable	1-10v As Standard
Operating Temp.	-15°C to +45°C
Lifespan _{L80}	50.000 Hours
Fire Rating	V-2
UGR Rating	<30
Diffuser Material	Polycarbonate
Housing Material	Aluminum
Housing Colour	Black
Weight	4.3Kg