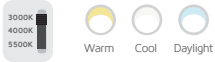


LED IP65 BULKHEADS

0% or 10% Standby Mode Microwave Motion Sensor
16W 1450lm



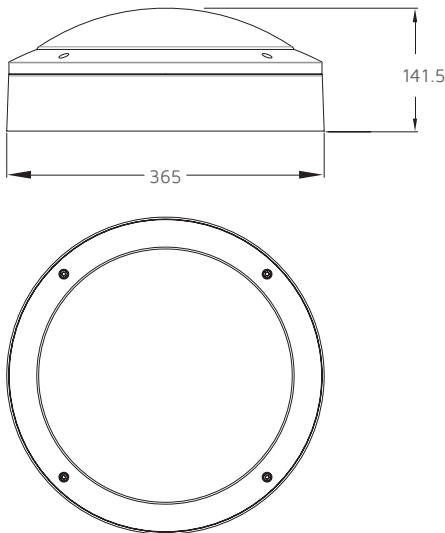
Tri-Colour



Motion
Sensor

IES Data Files available

DIMENSIONS



All units are in mm

TYPICALLY REPLACES

- 28W fluorescent 2D Bulkhead with motion sensor.

COMPATIBLE ACCESSORIES

Half Moon Cover

NET-11-06-25

Page 146

KEY DATA

Power	16W
Luminous Flux	1250lm / 1450lm / 1250lm
Colour Temperature	3000K / 4000K / 5500K
IP Rating	IP65
IK Rating	IK10
Dimensions	ø365 x 140mm
Warranty	3 Years

Part Number

NET-11-06-66

FEATURES & BENEFITS

- Detection range 2m to 10m.
- Hold time 5 seconds to 10 minutes.
- Daylight threshold.
- Corridor function.
- Compliant with EN 60598-2-1.

TECHNICAL SPECIFICATIONS

Input Voltage AC	220-240V
Power Factor	>0.9
Luminaire Efficacy	91lm/W
LED Manufacturer	Honglitrionic
LED Type	SMD2835
No. of LEDs	26 x 2
Driver Manufacturer	Merrytek
Driver Output Voltage DC	36-42V
Total Circuit Power (W)	16W +/-1.5W
Electrical Class	1
Colour Rendering	>80 CRI
Lamp Viewing Angle	115°
Dimmable	No
Operating Temp.	-15°C to +45°C
Lifespan _{L80}	35,000 Hours
Fire Rating	V-0
UGR Rating	More Than 19
Diffuser Material	Polycarbonate
Housing Material	Aluminium
Housing Colour	Black
Weight	3.3Kg