

Safety Information

> All electrical work must be undertaken by a qualified contractor to ensure compliance with latest edition BS 7671 and IEE/IET wiring regulations.

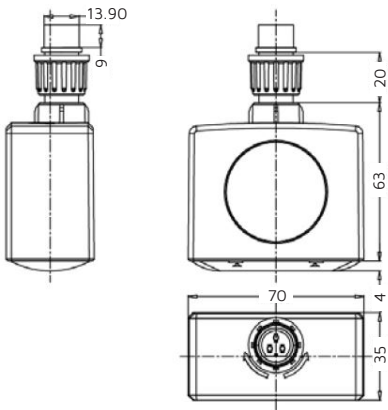
> Before installing the Motion and Photocell Sensor or doing any maintenance, ensure power supply is turned off at the circuit breaker or fuse box.

> This product is designed for permanent connection to fixed wiring; the circuit should be protected with the appropriate MCB or fuse.

Environment

> Please DO NOT dispose of electrical items or packaging as unsorted waste. Use the recycling facilities provided by your local authorities.

PRODUCT DIMENSIONS



All units are in mm

Important Warranty Information

The Motion and Photocell Sensor has a 3 year warranty. To claim, you must provide the product part number and date of manufacture, which can be found on the label attached to the sensor housing along with the original purchase invoice.



theLIA
MEMBER

NET LED Ltd.
Buckingway Business Park
300 Anderson Road
Cambridge
CB24 4UQ
sales@netled.co.uk
www.netled.co.uk

Technical Helpline: 01223 851505
Email: support@netled.co.uk

Drawing No: NET-42-04-39-IG_V1
www.netled.co.uk/downloads

Distributed by

NET LED[®]
LIGHTING

**MOTION AND
PHOTOCELL SENSOR
INSTALLATION
GUIDE**

MOTION AND PHOTOCELL SENSOR NET-42-04-39

KEY DATA

Input Voltage AC	220-240V
Power Frequency	50/60Hz
Maximum Load	400W
Maximum Detection Distance	>6m
Detection Angle	150°
Operating Temp.	-15°C to +45°C
Duration	5 sec - 30 min
Lux Levels	2 - 100 lux or Disabled
IP Rating	IP65
Manufacturer	Merrytek



Installation procedure: Carefully read the installation instructions and ensure the mains supply is isolated before installation. Please read the safety information overleaf before carrying out any installation. Please retain this leaflet for future reference.

Motion and Photocell Sensor Installation:

Step 1: Remove the cap from the bottom of the Flood Light.



Step 2: Remove the shorting plug to expose the three pin connector.



Step 3: Insert the motion/photocell sensor into the the 3 pin connector.



Step 4: Remove the waterproof cover on the bottom of the motion/photocell sensor. Configure the switches to set desired functions using the table below.



Default settings are: Detection Area 100%, Hold Time 1min, Daylight Sensor operates at 50Lux, Motion Sensor on.
In this mode, the Flood Light will turn on at 100% for 1 minute when motion is detected, and when the natural light level is below 50lux.



Detection Area

1	2	
ON	ON	100%
-	ON	75%
ON	-	50%
-	-	25%

Hold Time

3	4	5	
ON	ON	ON	5S
-	ON	ON	30S
ON	-	ON	1min
-	-	ON	3min
ON	ON	-	20min
-	-	-	30min

Daylight Sensor

6	7	8	Daylight Threshold	Photocell Open/Close
ON	ON	ON	2Lux	10/50Lux
-	ON	ON	10Lux	25/75Lux
ON	-	ON	25Lux	50/100Lux
-	-	ON	50Lux	100/200Lux
ON	ON	-	100Lux	150/300Lux
-	-	-	Disable	Disable

Mode

9	
ON	Motion
-	Photocell