

LED SLIM DOWNLIGHTS

8" 22W 221-223mm Cut-Out 1800lm

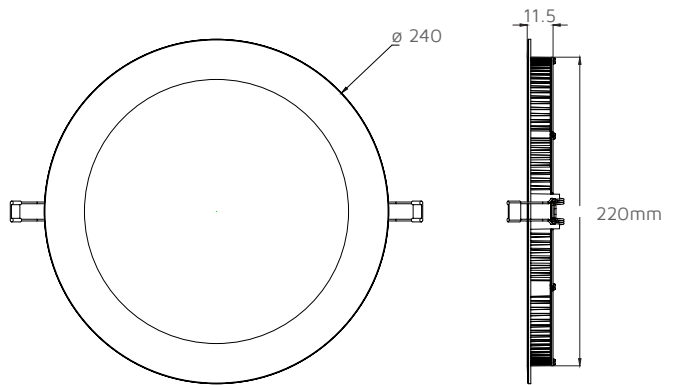


CT
4000K



IES Data Files available

DIMENSIONS



All units are in mm

TYPICALLY REPLACES

- 2 x 26W CFL.

COMPATIBLE ACCESSORIES

20W Dimmable Driver	NET-42-43-14	Page 251
3H PNL EMKIT	NET-21-33-03	Page 266
DALI EMKIT	NET-19-33-15	Page 270
Microwave Sensor Ceiling Mount	NET-42-43-04	Page 242
Microwave Sensor Ceiling Mount 2 output	NET-42-43-06	Page 243

KEY DATA

Power	22W
Luminous Flux	1800lm
Colour Temperature	4000K
IP Rating	IP20
Dimensions	ø240 x 11.5mm
Cut-Out Size	ø221-223mm
Warranty	3 Years

Part Number

NET-11-05-85

FEATURES & BENEFITS

- Slim, low profile design.
- Stainless steel retaining clips.
- Compliant with EN 60598-2-2.

TECHNICAL SPECIFICATIONS

Input Voltage AC	220-240V
Power Factor	>0.95
Luminaire Efficacy	81lm/W
LED Manufacturer	Honglitricon
LED Type	SMD2835
No. of LEDs	120
Driver Manufacturer	BOKE
Driver Output Voltage DC	36-42V
Total Circuit Power (W)	22W +/-2W
Electrical Class	3
Colour Rendering	>80 CRI
Lamp Viewing Angle	110°
Dimmable	Optional Upgrade
Flicker Free	No
Operating Temp.	0°C to +45°C
Lifespan _{L80}	35,000 Hours
Diffuser Flammability Rating	HB
UGR Rating	More than 22
Diffuser/LGP Material	PS/PMMA
Housing Material	Aluminum
Housing Colour	White
Weight	0.54Kg