

LED SLIM DOWNLIGHTS

6" 18W 176-178mm Cut-Out 1550lm

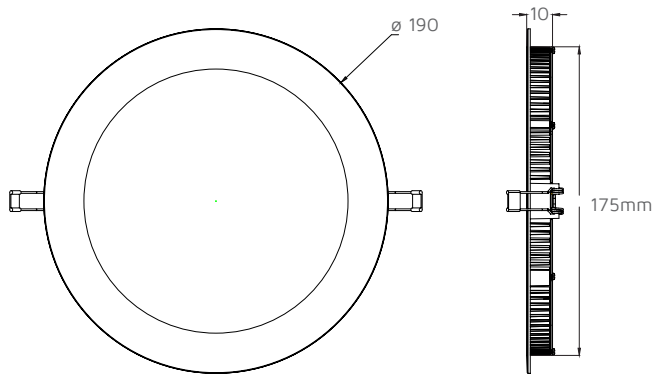


CT
4000K



IES Data Files available

DIMENSIONS



All units are in mm

TYPICALLY REPLACES

- 2 x 18W CFL.

COMPATIBLE ACCESSORIES

| | | |
|---|--------------|----------|
| 20W Dimmable Driver | NET-42-43-14 | Page 251 |
| 3H PNL EMKIT | NET-21-33-03 | Page 266 |
| DALI EMKIT | NET-19-33-15 | Page 270 |
| Microwave Sensor Ceiling Mount | NET-42-43-04 | Page 242 |
| Microwave Sensor Ceiling Mount 2 output | NET-42-43-06 | Page 243 |

KEY DATA

| | |
|--------------------|-------------|
| Power | 18W |
| Luminous Flux | 1550lm |
| Colour Temperature | 4000K |
| IP Rating | IP20 |
| Dimensions | ø190 x 10mm |
| Cut-Out Size | ø176-178mm |
| Warranty | 3 Years |

Part Number

NET-11-05-83

FEATURES & BENEFITS

- Slim, low profile design.
- Stainless steel retaining clips.
- Compliant with EN 60598-2-2

TECHNICAL SPECIFICATIONS

| | |
|------------------------------|------------------|
| Input Voltage AC | 220-240V |
| Power Factor | >0.95 |
| Luminaire Efficacy | 86lm/W |
| LED Manufacturer | Honglitrone |
| LED Type | SMD2835 |
| No. of LEDs | 96 |
| Driver Manufacturer | BOKE |
| Driver Output Voltage DC | 36-42V |
| Total Circuit Power (W) | 18W +/-2W |
| Electrical Class | 3 |
| Colour Rendering | >80 CRI |
| Lamp Viewing Angle | 110° |
| Dimmable | Optional Upgrade |
| Flicker Free | No |
| Operating Temp. | 0°C to +45°C |
| Lifespan _{L80} | 35,000 Hours |
| Diffuser Flammability Rating | HB |
| UGR Rating | More than 22 |
| Diffuser/LGP Material | PS/PMMA |
| Housing Material | Aluminum |
| Housing Colour | White |
| Weight | 0.34Kg |