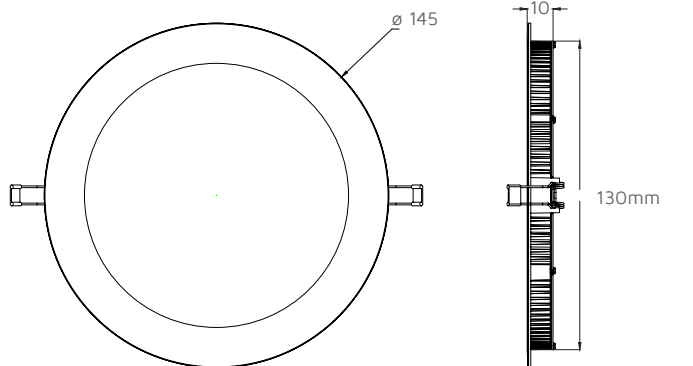


LED SLIM DOWNLIGHTS

4" 10W 131-133mm Cut-Out
4000K 850lm



IES Data Files available

DIMENSIONS

All units are in mm

KEY DATA

Power	10W
Luminous Flux	850lm
Colour Temperature	4000K
IP Rating	IP20
Dimensions	∅ 145 x 10mm
Cut-Out Size	∅ 131-133mm
Warranty	3 Years

Part Number

NET-11-05-81

TECHNICAL SPECIFICATIONS

Input Voltage AC	220-240V
Power Factor	>0.90
LED Luminous Flux	970lm
Luminous Efficacy	>95lm/W
LED Manufacturer	Honglitricon
LED Type	SMD2835
No. of LEDs	36
Driver Manufacturer	Boke
Driver Output Voltage DC	36-42V
Total Circuit Power (W)	10W
Electrical Class	3
Colour Rendering	>80 CRI
Lamp Viewing Angle	110°
Dimmable	Optional Upgrade
Flicker free	Yes
Operating Temp.	-15°C to +45°C
Lifespan	35,000 Hours
Diffuser Flammability Rating	HB
UGR Rating	More than 22
Diffuser/LGP Material	Poly(phenylethene)
Housing Material	Aluminum
Housing Colour	White
Weight	0.24Kg

TYPICALLY REPLACES

- 1 x 50W dichroic halogen.

FEATURES & BENEFITS

- Slim, low profile design.
- Stainless steel retaining clips.
- Compliant with EN 60598-2-2

COMPATIBLE ACCESSORIES

20W Dimmable Driver	NET-42-43-14	Page 220
3H PNL EMKIT	NET-21-33-03	Page 236
DALI EMKIT	NET-19-33-15	Page 240
Microwave Sensor Ceiling Mount	NET-42-43-04	Page 212
Microwave Sensor Ceiling Mount 2 output	NET-42-43-06	Page 213