

## LED IP54 BULKHEADS

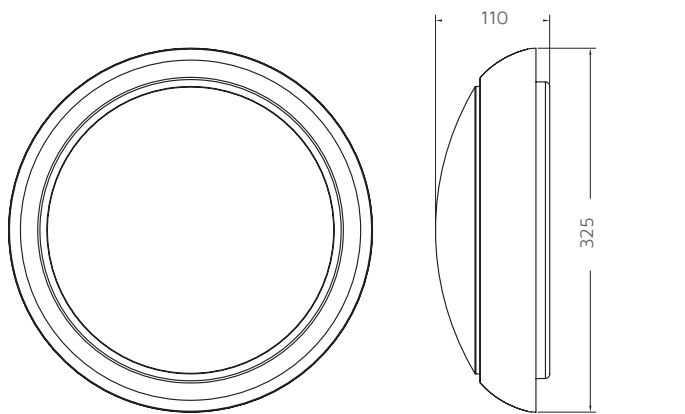
Emergency 16W  
4000K 1100lm



Emergency  
Function

IES Data Files available

### DIMENSIONS



All units are in mm



Central  
Entry

### COMPATIBLE ACCESSORIES

IP54 Chrome Ring

NET-11-06-06

Page 126

### KEY DATA

Power	16W
Luminous Flux	1100lm
Colour Temperature	4000K
IP Rating	IP54
Dimensions	ø 325 x 110mm
Warranty	3 Years

Part Number

NET-11-06-85

### TECHNICAL SPECIFICATIONS

Input Voltage	220-240V
Power Factor	>0.9
LED Luminous Flux	1600lm
Luminous Efficacy	>100lm/W
LED Manufacturer	Honglitronic
LED Type	SMD2835
No. of LEDs	36+3
Driver Manufacturer	Lifud
Driver Output Voltage DC	36-42V
Total Circuit Power (W)	16W +/- 1.5W
Electrical Class	1
Colour Rendering	>80 CRI
Lamp Viewing Angle	115°
Dimmable	No
Emergency Operation	3 Hours
Battery Pack	Li-on 3.7V
Emergency Pack	KREAT
Battery Warranty	1 Year
Operating Temp.	0°C to +45°C
Lifespan	35,000 Hours
Fire Rating	V-2
UGR Rating	More than 19
Diffuser Material	Polycarbonate
Housing Material	ABS
Housing Colour	White
Weight	1.13Kg

### TYPICALLY REPLACES

- 28W fluorescent 2D emergency Bulkhead.

### FEATURES & BENEFITS

- Water and dust-resistant IP54 rated housing.
- Shatterproof all-polycarbonate diffuser.
- 3 year warranty (battery covered for 1 year).
- Maintained or non-maintained emergency operation.
- Compliant with EN 60598-2-22.