

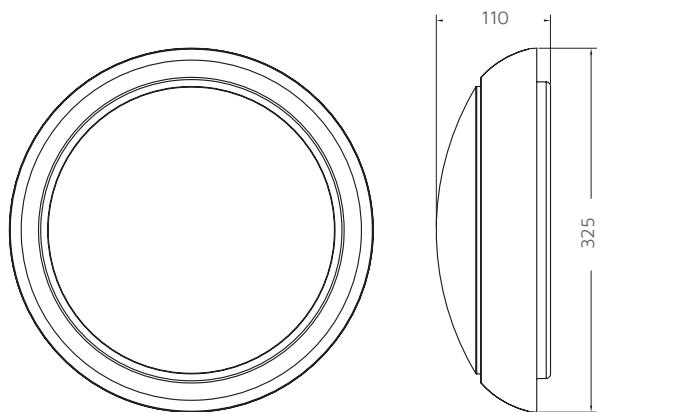
## LED IP54 BULKHEADS

Standard 16W  
4000K 1100lm



IES Data Files available

### DIMENSIONS



All units are in mm



Central Entry

### COMPATIBLE ACCESSORIES

IP54 Chrome Ring

NET-11-06-06

Page 126

### KEY DATA

Power	16W
Luminous Flux	1100lm
Colour Temperature	4000K
IP Rating	IP54
Dimensions	ø 325 x 110mm
Warranty	3 Years

Part Number

NET-11-06-82

### TECHNICAL SPECIFICATIONS

Input Voltage AC	220-240V
Power Factor	>0.9
LED Luminous Flux	1600lm
Luminous Efficacy	>100lm/W
LED Manufacturer	Honglitricon
LED Type	SMD2835
No. of LEDs	36
Driver Manufacturer	Lifud
Driver Output Voltage DC	36-42V
Total Circuit Power (W)	16W
Electrical Class	1
Colour Rendering	>80 CRI
Lamp Viewing Angle	115°
Dimmable	No
Operating Temp.	-15°C to +45°C
Lifespan	35,000 Hours
Fire Rating	V-2
UGR Rating	More than 19
Diffuser Material	Polycarbonate
Housing Material	ABS
Housing Colour	White
Weight	1.13Kg

### TYPICALLY REPLACES

- 28W fluorescent 2D Bulkhead.

### FEATURES & BENEFITS

- Water and dust-resistant IP54 rated housing.
- Shatterproof all-polycarbonate diffuser.
- Compliant with EN 60598-2-1.