

LYNXUS CONTROLS

Daylight Sensor

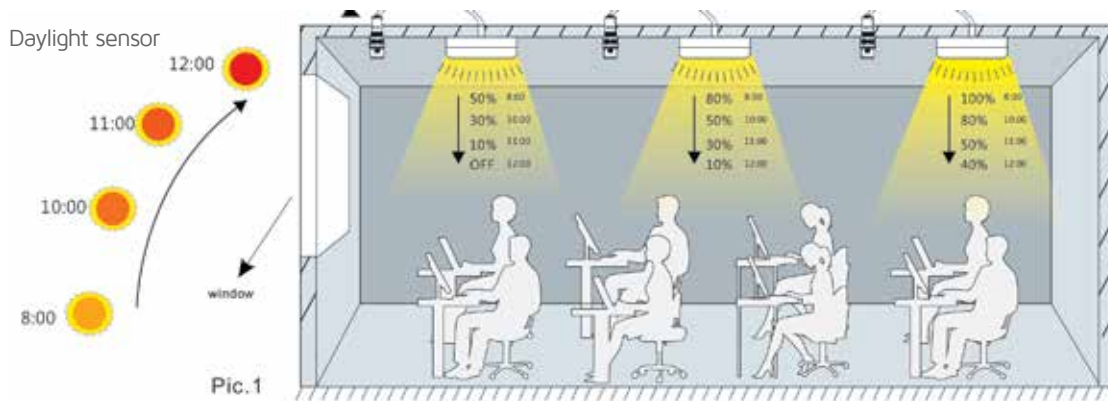


KEY DATA

Operating Voltage DC	1-10V
Max. current sink	50mA (Maximum rating)
Dimming Range	1%-100%
Operating Temp.	0°C to +45°C
Detection Angle	90°
IP Rating	IP20
Dimensions	69.3 x ø 21.47mm
Warranty	3 Years

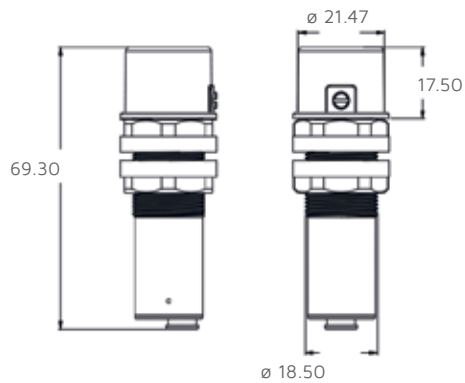
Part Number

NET-48-16-05



IES Data Files available

DIMENSIONS



When used in conjunction with a Luminaire interface module this Daylight Sensor allows feedback into your Smart Lighting System. Through one off set up in the Android App output from the sensor can Daylight Dim any selected luminaires within the zone allowing you to achieve constant light levels throughout the day.

Product Summary

Part Number	Range	Description/Dimensions	Power	Page
NET-48-16-01	Lynxus	Zigbee Luminaire Interface	N/A	205
NET-48-16-02	Lynxus	Zigbee Hub, Max 80 Interfaces	N/A	204
NET-48-16-03	Lynxus	Zigbee Wireless Switch	N/A	205
NET-48-16-05		Daylight Dimmer 1-10V	N/A	207