

Safety Information

>All electrical work must be undertaken by a qualified contractor to ensure compliance with latest edition BS 7671 and IEE/IET wiring regulations.

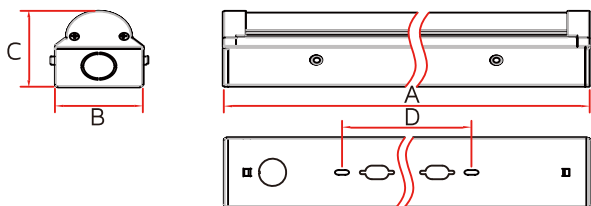
> Before installing an LED Emergency Batten or doing any maintenance, ensure power supply is turned off at the circuit breaker or fuse box.

> This product is designed for permanent connection to fixed wiring; the circuit should be protected with the appropriate MCB or fuse.

Environment

> Please DO NOT dispose of electrical items or packaging as unsorted waste. Use the recycling facilities provided by your local authorities.

PRODUCT DIMENSIONS



Size (ft)	A	B	C	D
4	1200mm	50mm	55mm	680mm
5	1500mm	50mm	55mm	840mm
6	1800mm	50mm	55mm	1140mm

All units are in mm

Important Warranty Information

The LED Emergency Batten has a 3 year warranty, Battery warranty is 1 year only, which can be extended free of charge to 5 year by registering online via the website address below. The registrant must provide the product part number and date of manufacture, which can be found on the label attached to the luminaire housing,



theLIA

MEMBER



FS 590684 EMS 590685

NET LED Limited
Buckingway Business Park
300 Anderson Road
Cambridge
CB24 4UQ UK
sales@netled.co.uk
www.netled.co.uk

Technical Helpline: 01223 851505
Email: support@netled.co.uk

Drawing No: NET-11-11-LL-IG_V2
www.netled.co.uk/downloads


Distributed by

NET LED
LIGHTING

**LED EMERGENCY
BATTEN
INSTALLATION
GUIDE**

LED EMERGENCY BATTEN NET-11-11-XX

KEY DATA

Light Source:	LED 				
Length	4ft	5ft	6ft		
Length	1200mm	1500mm	1800mm		
Power	18W	22W	45W	32W	80W
Luminous Flux(3000K)	2300lm	2770lm	5320lm	3970lm	9450lm
Luminous Flux(4000K)	2370lm	2850lm	5930lm	4090lm	10000lm
Luminous Flux(5500K)	2300lm	2760lm	5610lm	3950lm	9830lm
Luminous Efficacy	>120lm/W				
Colour Temperature	Tri-Colour 3000/4000/5500K				
Emergency Operation	>3H				
Battery Pack	LiFePO4 3.2V				
Emergency Conversion	Luxbox				
Colour Rendering	>80 CRI				
Housing Material	Aluminium				
Diffuser Material	Polycarbonate				
IP Rating	IP20				
Manufacturer	Toppo Lighting Co				

SUPPLY/EARTH CLASS

220-240V AC 50/60 Hz

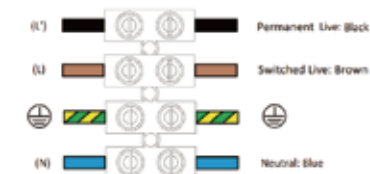


Class I

Fig.1 Mains Input Termination

Luminaire

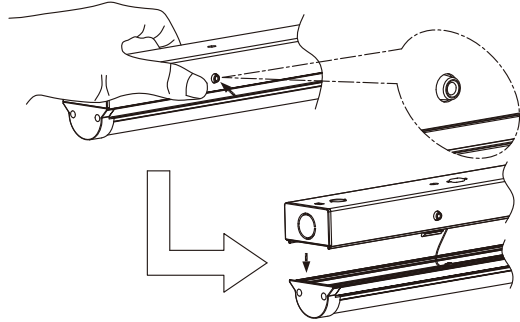
Mains Supply



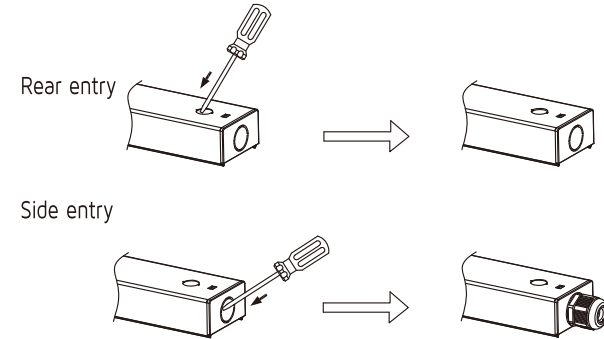
Installation procedure: Carefully read the installation instructions and ensure the mains supply is isolated before installation. Please read the safety information overleaf before carrying out any installation. Please retain this leaflet for future reference.

LED Emergency Batten Installation:

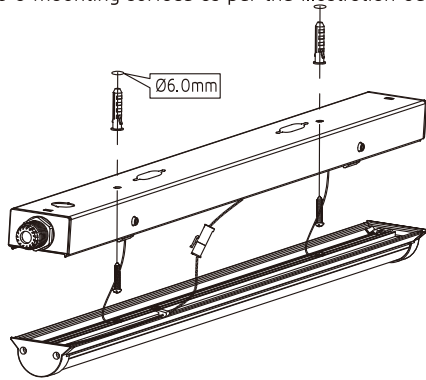
Step 1: Carefully remove the LED Batten from the packaging, press the clips on the side of the luminaire housing to remove the diffuser.



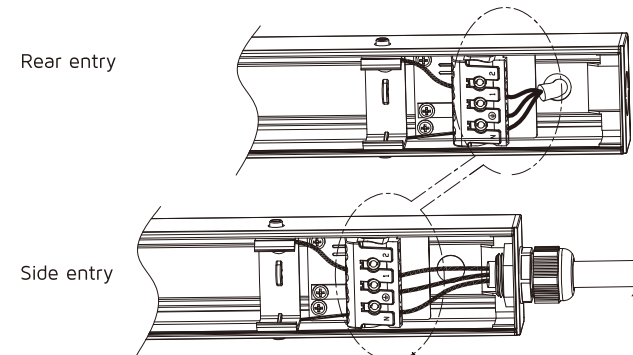
Step 2: Pop out the required cable entry hole and fix the cable gland supplied if required.



Step 3: Fix the LED Batten onto a mounting surface as per the illustration below.



Step 4: Wire the cable in to the terminal block inside the luminaire housing.



Step 5: Finally, replace the diffuser and push it down until it is clicked into place. Turn on the power supply to ensure the luminaire is working properly.

