

Safety Information

>All electrical work must be undertaken by a qualified contractor to ensure compliance with latest edition BS 7671 and IEE/IET wiring regulations.

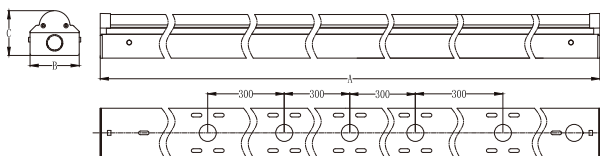
> Before installing an LED Batten or doing any maintenance, ensure power supply is turned off at the circuit breaker or fuse box.

> This product is designed for permanent connection to fixed wiring; the circuit should be protected with the appropriate MCB or fuse.

Environment

> Please DO NOT dispose of electrical items or packaging as unsorted waste. Use the recycling facilities provided by your local authorities.

PRODUCT DIMENSIONS



Size (ft)	A	B	C
2	600mm	60mm	55mm
4	1200mm	60mm	55mm
5	1500mm	60mm	55mm
6	1800mm	60mm	55mm

All units are in mm

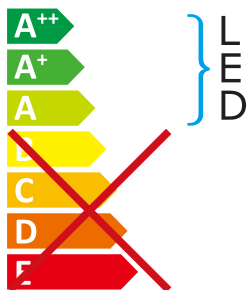
Important Warranty Information

The LED Batten has a 3 year warranty, which can be extended free of charge to 5 years by registering online via the website address below. The registrant must provide the product part number and date of manufacture, which can be found on the label attached to the luminaire housing.

Manufactured in China by
Toppo Co. Ltd.
NET-11-11-XX



This luminaire contains built-in LED lamps.



LED

The lamps cannot be changed in the luminaire.

874/2012



NET LED Limited
Buckingway Business Park
300 Anderson Road
Cambridge
CB24 4UQ UK
sales@netled.co.uk
www.netled.co.uk



Technical Helpline: 01223 851505
Email: support@netled.co.uk

Drawing No: NET-11-11-LL-IG_V2
www.netled.co.uk/downloads



theLIA
MEMBER


Distributed by



**LED BATTEN
INSTALLATION
GUIDE**

**LED BATTEN
NET-11-11-XX**

KEY DATA

Light Source:	LED 					
Length	2ft	4ft	5ft	6ft		
Length	600mm	1200mm	1500mm		1800mm	
Power	10W	18W	22W	45W	32W	80W
Luminous Flux(3000K)	1370lm	2300lm	2770lm	5320lm	3970lm	9450lm
Luminous Flux(4000K)	1430lm	2370lm	2850lm	5930lm	4090lm	10000lm
Luminous Flux(5500K)	1380lm	2300lm	2760lm	5610lm	3950lm	9830lm
Luminous Efficacy	>120lm/W					
Colour Temperature	Tri-Colour 3000/4000/5500K					
Colour Rendering	>80 CRI					
Housing Material	Aluminium					
Diffuser Material	Polycarbonate					
IP Rating	IP20					
Manufacturer	Toppo Lighting Co					

SUPPLY/EARTH CLASS

220-240V AC 50/60 Hz



Class I

Fig.1 Mains Input Termination

Luminaire

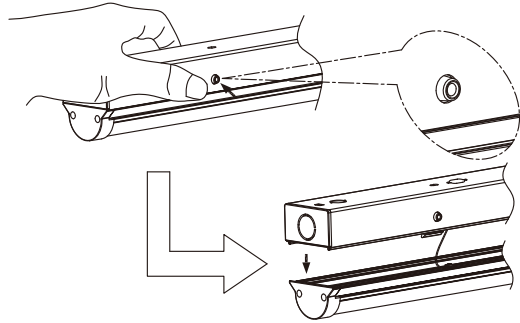
Mains Supply



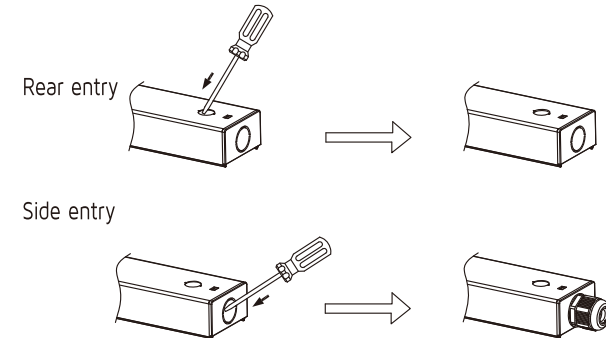
Installation procedure: Carefully read the installation instructions and ensure the mains supply is isolated before installation. Please read the safety information overleaf before carrying out any installation. Please retain this leaflet for future reference.

LED Batten Installation:

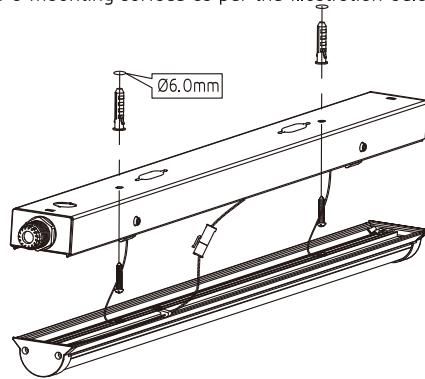
Step 1: Carefully remove the LED Batten from the packaging, press the clips on the side of the luminaire housing to remove the diffuser.



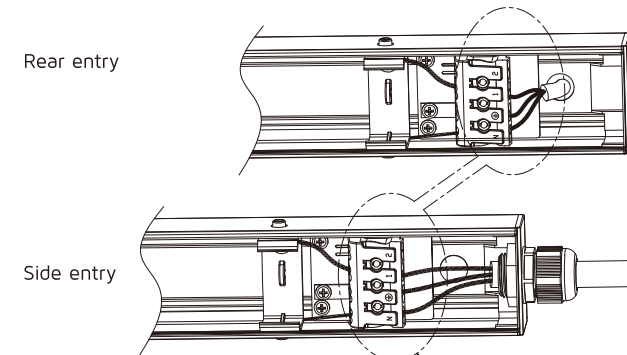
Step 2: Pop out the required cable entry hole and fix the cable gland supplied if required.



Step 3: Fix the LED Batten onto a mounting surface as per the illustration below.



Step 4: Wire the cable in to the terminal block inside the luminaire housing.



Step 5: Finally, replace the diffuser and push it down until it is clicked into place. Turn on the power supply to ensure the luminaire is working properly.

