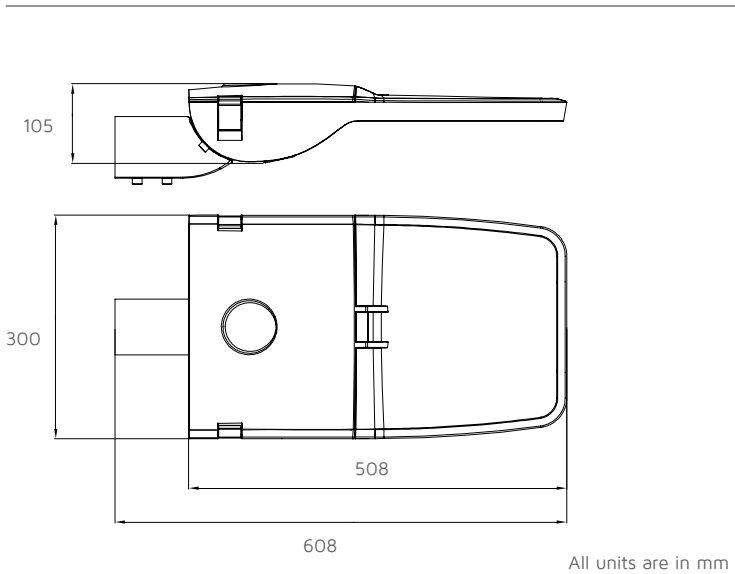


STREET LIGHTING

100W 4000K 13600lm



DIMENSIONS



KEY DATA

Power	100W
Luminous Flux	13600lm
Colour Temperature	4000K
IP Rating	IP65
IK Rating	IK08
Pole Size	ø60 or ø76mm
Dimensions	608 x 300 x 105mm
Warranty	5 Years (Registration Required)

Part Number

NET-23-20-07

FEATURES & BENEFITS

- Dual pole mount.
- Maintenance cover allows for fast and easy installation.
- Slim and compact profile for minimum wind resistance.
- Extremely energy efficient.
- Standard 10KV surge protection.
- Compliant with EN 60598-2-3.

TECHNICAL SPECIFICATIONS

Input Voltage AC	100-270V
Power Factor	>0.90
Luminaire Efficacy	136lm/W
LED Manufacturer	Philips
LED Type	EMC 3030
No. of LEDs	168
Driver Manufacturer	Tomcarline
Driver Output Voltage DC	42V
Total Circuit Power (W)	100W +/-5W
Electrical Class	1
Colour Rendering	>70 CRI
Lamp Viewing Angle	140° x 70°
Dimmable	No
Photocell Compatible	Yes (NET-15-20-08)
Operating Temp.	-15°C to +40°C
Lifespan _{L80}	50,000 Hours
Diffuser Material	Glass
Housing Material	Aluminium
Housing Colour	Grey
Weight	8.2Kg

COMPATIBLE ACCESSORIES

Photocell Sensor	NET-15-20-08	Page 188
Wall / Corner Bracket	NET-15-16-17	Page 188