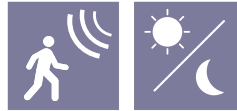


LED SLIMLINE FLOOD LIGHTS

100W 6000K 10860lm



Compatible accessories:

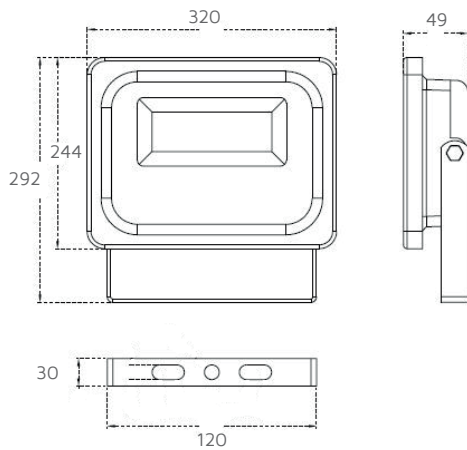


Microwave
Motion Sensor

Photocell
Sensor

IES Data Files available

DIMENSIONS



All units are in mm

TYPICALLY REPLACES

- 100W metal halide.



Adjustable Wall
Bracket



Motion and
Photocell Sensor

COMPATIBLE ACCESSORIES

Motion and Photocell Sensor	NET-42-04-39	Page 175
Adjustable Wall Bracket	NET-15-16-27	Page 175

KEY DATA

Power	100W
Luminous Flux	10860lm
Colour Temperature	6000K
IP Rating	IP66
IK Rating	IK08
Dimensions	320 x 292 x 49mm
Warranty	3 Years

Part Number

NET-15-04-48

FEATURES & BENEFITS

- Weather and dust-proof IP66 rated housing.
- Anti-corrosive paint treatment.
- Optional plug in Motion and Photocell Sensor.
- Supplied with 1m flex.
- Compliant with EN 60598-2-5.

TECHNICAL SPECIFICATIONS

Input Voltage AC	100-240V
Power Factor	>0.90
Luminaire Efficacy	108lm/W
LED Manufacturer	Lumileds
LED Type	Luxeon 3030 2D
No. of LEDs	110
Driver Manufacturer	Leyond
Driver Output Voltage DC	30-36V
Total Circuit Power (W)	100W +/-5W
Electrical Class	1
Colour Rendering	>75 CRI
Lamp Viewing Angle	120°
Dimmable	No
Operating Temp.	-15°C to +45°C
Lifespan _{L80}	35,000 Hours
UGR Rating	22
Diffuser Material	Glass
Housing Material	Aluminium
Housing/Frame Colour	Black
Weight	2.5Kg