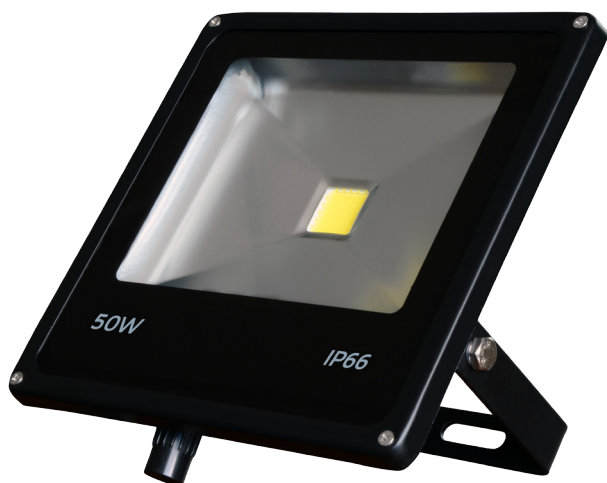


LED SLIMLINE FLOOD LIGHTS

50W

6000K 4350lm



Compatible accessories:

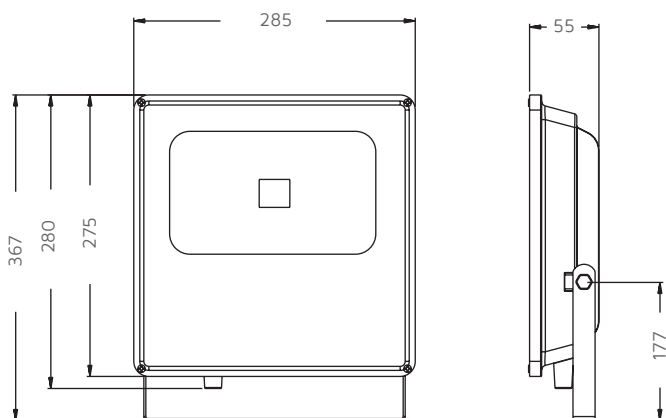


PIR Motion Sensor

Photocell Sensor

IES Data Files available

DIMENSIONS



All units are in mm



360 Degree Bracket

COMPATIBLE ACCESSORIES

PIR Sensor	NET-15-04-39	Page 153
Photocell	NET-15-04-49	Page 153
360 Degree Bracket	NET-15-16-13	As above

KEY DATA

Power	50W
Luminous Flux	4350lm
Colour Temperature	6000K
IP Rating	IP66
IK Rating	IK08
Dimensions	285 x 275 x 55mm
Warranty	3 Years

Part Number

NET-15-04-35

TECHNICAL SPECIFICATIONS

Input Voltage AC	100-240V
Power Factor	>0.90
LED Luminous Flux	5500lm
Luminous Efficacy	>110lm/W
LED Manufacturer	Elec -Tech
LED Type	35mil
No. of LEDs	1 X 50W
Driver Manufacturer	Leyond
Driver Output Voltage DC	30-36V
Total Circuit Power (W)	50W +/-5W
Electrical Class	1
Colour Rendering	>75 CRI
Lamp Viewing Angle	120°
Dimmable	No
Operating Temp.	-15°C to +45°C
Lifespan	35,000 Hours
UGR Rating	22
Diffuser Material	Glass
Housing Material	Aluminium
Housing/Frame Colour	Black
Weight	1.6Kg

TYPICALLY REPLACES

- 100W metal halide.
- 500W Tungsten halogen.

FEATURES & BENEFITS

- Weather and dust-proof IP66 rated housing.
- Optional 360 Degree Bracket.
- Anti-corrosive paint treatment.
- Optional plug in PIR and Photocell.
- Supplied with 1m flex.
- Compliant with EN 60598-2-5.