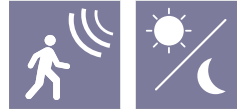


# LED SLIMLINE FLOOD LIGHTS

## 30W 6000K 3350lm



Compatible accessories:

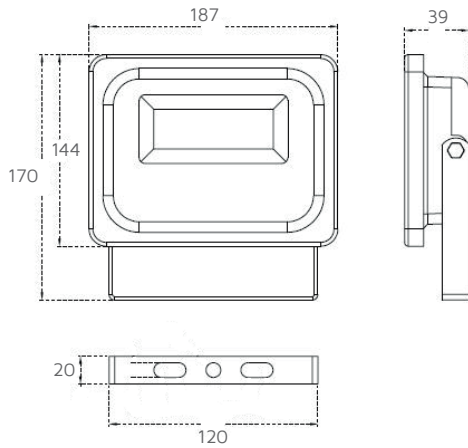


Microwave  
Motion Sensor

Photocell  
Sensor

IES Data Files available

### DIMENSIONS



All units are in mm



**Adjustable Wall  
Bracket**



**Motion and  
Photocell Sensor**

### COMPATIBLE ACCESSORIES

Motion and Photocell Sensor	NET-42-04-39	Page 175
Adjustable Wall Bracket	NET-15-16-27	Page 175

### KEY DATA

Power	30W
Luminous Flux	3350lm
Colour Temperature	6000K
IP Rating	IP66
IK Rating	IK08
Dimensions	187 x 170 x 39mm
Warranty	3 Years

Part Number

NET-15-04-34

### FEATURES & BENEFITS

- Weather and dust-proof IP66 rated housing.
- Anti-corrosive paint treatment.
- Optional plug in Motion and Photocell Sensor.
- Supplied with 1m flex.
- Compliant with EN 60598-2-5.

### TECHNICAL SPECIFICATIONS

Input Voltage AC	100-240V
Power Factor	>0.90
Luminaire Efficacy	111lm/W
LED Manufacturer	Lumileds
LED Type	Luxeon 3030 2D
No. of LEDs	45
Driver Manufacturer	Leyond
Driver Output Voltage DC	30-36V
Total Circuit Power (W)	30W
Electrical Class	1
Colour Rendering	>75 CRI
Lamp Viewing Angle	120°
Dimmable	No
Operating Temp.	-15°C to +45°C
Lifespan <sub>L80</sub>	35,000 Hours
UGR Rating	22
Diffuser Material	Glass
Housing Material	Aluminium
Housing/Frame Colour	Black
Weight	0.85Kg