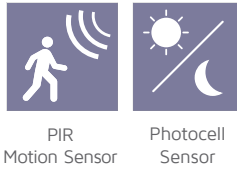


**LED SLIMLINE FLOOD LIGHTS**  
 10W  
 6000K 650lm

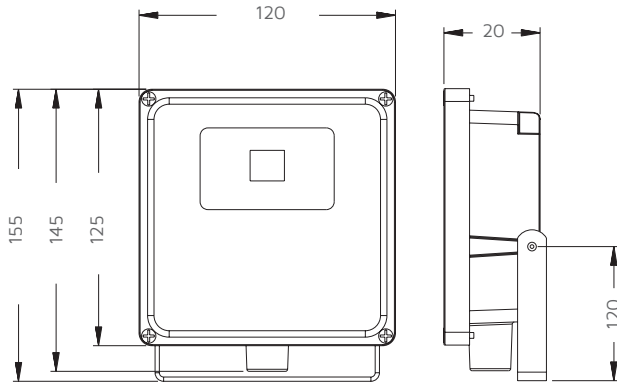


Compatible accessories:



IES Data Files available

**DIMENSIONS**



All units are in mm

**KEY DATA**

Power	10W
Luminous Flux	650lm
Colour Temperature	6000K
IP Rating	IP66
IK Rating	IK08
Dimensions	125 x 120 x 40mm
Warranty	3 Years

Part Number

**NET-15-04-31**

**TECHNICAL SPECIFICATIONS**

Input Voltage AC	100-240V
Power Factor	>0.90
LED Luminous Flux	1100lm
Luminous Efficacy	>110lm/W
LED Manufacturer	Epistar
LED Type	30mil
No. of LEDs	1 X 10W
Driver Manufacturer	Leyond
Driver Output Voltage DC	30-36V
Total Circuit Power (W)	10W +/-2W
Electrical Class	1
Colour Rendering	>75 CRI
Lamp Viewing Angle	120°
Dimmable	No
Operating Temp.	-15°C to +45°C
Lifespan	35,000 Hours
UGR Rating	22
Diffuser Material	Glass
Housing Material	Aluminium
Housing/Frame Colour	Black
Weight	0.7Kg

**COMPATIBLE ACCESSORIES**

PIR Sensor	<b>NET-15-04-39</b>	Page 153
Photocell	<b>NET-15-04-49</b>	Page 153

**TYPICALLY REPLACES**

- 100W/150W tungsten halogen.

**FEATURES & BENEFITS**

- Weather and dust-proof IP66 rated housing.
- Anti-corrosive paint treatment.
- Optional plug in PIR and Photocell.
- Supplied with 1m flex.
- Compliant with EN 60598-2-5.