

**LED LOW BAYS**  
215W 110° Beam Angle  
5700K 24690lm



Dimmable as standard

**PHILIPS**

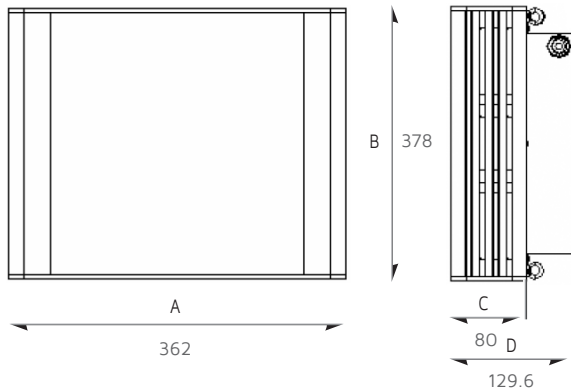
LED CHIPS



DRIVER AS STANDARD

IES Data Files available

**DIMENSIONS**



All units are in mm

**COMPATIBLE ACCESSORIES**

Low Bay Suspension Kit	<b>NET-46-16-08</b>	Page 229
Microwave Motion Dimming IP65	<b>NET-42-43-08</b>	Page 214

**KEY DATA**

Power	215W
Luminous Flux	24690lm
Colour Temperature	5700K
IP Rating	IP20
IK Rating	IK08
Dimensions	362 x 378 x 129.6mm
Warranty	5 Years Extended

Part Number **NET-15-12-98**

Part Number EM **NET-15-12-88**

**TECHNICAL SPECIFICATIONS**

Input Voltage AC	220-240V
Power Factor	>0.95
LED Luminous Flux	31187lm
Luminous Efficacy	>140lm/W
LED Manufacturer	Philips
LED Type	Luxeon 3030
No. of LEDs	300
Driver Manufacturer	Mean Well (ELG)
Driver Output Voltage DC	20-36v
Total Circuit Power (W)	215W +/-8W
Electrical Class	1
Colour Rendering	>80 CRI
Lamp Viewing Angle	110°
Dimmable	Yes
Emergency Operation*	>3H
Battery Pack*	3.6V 4.5Ah NiCd Cells
Emergency Conversion*	Liteplan
Operating Temp.	-15°C to +45°C
Lifespan	50,000 Hours
Fire Rating	V-2
Diffuser Material	Polycarbonate
Housing Material	Aluminum
Housing Colour	White
Weight	7.2Kg

\*Emergency version only

**TYPICALLY REPLACES**

- 400W metal halide.
- 400W SON.

**FEATURES & BENEFITS**

- Recommended for mounting at heights between 4 and 8m.
- High output 650lm+ emergency option.
- Optional motion sensor.
- Dimmable Driver as standard.
- Suspension Kit available.
- Emergency version compliant with EN 60598-2-22.