

LED LOW BAYS

150W 110° Beam Angle
5700K 16400lm



Dimmable as standard

PHILIPS

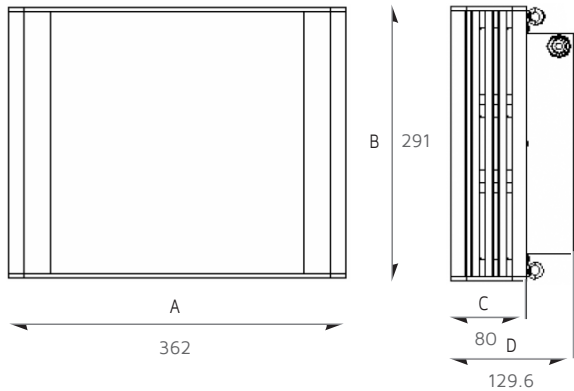


IES Data Files available

LED CHIPS

DRIVER AS STANDARD

DIMENSIONS



All units are in mm

KEY DATA

Power	150W
Luminous Flux	16400lm
Colour Temperature	5700K
IP Rating	IP20
IK Rating	IK08
Dimensions	362 x 291 x 129.6mm
Warranty	5 Years Extended

Part Number **NET-15-12-96**

EM Part Number **NET-15-12-86**

TECHNICAL SPECIFICATIONS

Input Voltage AC	220-240V
Power Factor	>0.95
LED Luminous Flux	20250lm
Luminous Efficacy	>130lm/W
LED Manufacturer	Philips
LED Type	Luxeon 3030
No. of LEDs	210
Driver Manufacturer	Mean Well (ELG)
Driver Output Voltage DC	20-36V
Total Circuit Power (W)	150W +/-5W
Electrical Class	1
Colour Rendering	>80 CRI
Lamp Viewing Angle	110°
Dimmable	Yes
Emergency Operation*	>3H
Battery Pack*	3.6V 4.5Ah NiCd Cells
Emergency Conversion*	Liteplan
Operating Temp.	-15°C to +45°C
Lifespan	50,000 Hours
Fire Rating	V-2
Diffuser Material	Polycarbonate
Housing Material	Aluminum
Housing Colour	White
Weight	6.08Kg

*Emergency version only

TYPICALLY REPLACES

- 250W metal halide.
- 250W SON.

FEATURES & BENEFITS

- Recommended for mounting at heights between 4 and 8m.
- High output 650lm+ emergency option.
- Optional motion sensor.
- Dimmable Driver as standard.
- Suspension Kit available.
- Emergency version compliant with EN 60598-2-22.

COMPATIBLE ACCESSORIES

Low Bay Suspension Kit **NET-46-16-08** Page 229

Microwave Motion Dimming IP65 **NET-42-43-08** Page 214