

## LED LOW BAYS

150W 110° Beam Angle 5700K 16400lm



Emergency Function

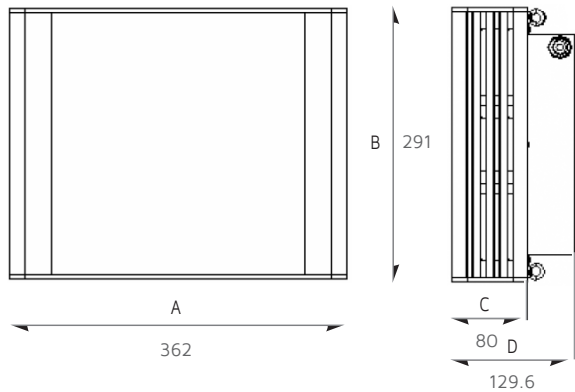
Dimmable as standard



DRIVER AS STANDARD

IES Data Files available

### DIMENSIONS



All units are in mm

### TYPICALLY REPLACES

- 250W metal halide.
- 250W SON.



UK Emergency conversion by Liteplan Emergency Lighting Ltd.

### COMPATIBLE ACCESSORIES

Low Bay Suspension Kit	<b>NET-46-16-08</b>	Page 259
Merrytek IP65 Dimming Sensor	<b>NET-42-43-08</b>	Page 244

### KEY DATA

Power	150W
Luminous Flux	16400lm
Colour Temperature	5700K
IP Rating	IP20
IK Rating	IK08
Dimensions	362 x 291 x 129.6mm
Warranty	5 Years (Registration Required)

Part Number **NET-15-12-96**

EM Part Number **NET-15-12-86**

### FEATURES & BENEFITS

- Recommended for mounting at heights between 4m and 8m.
- High output 650lm+ Emergency option.
- Optional motion sensor.
- Dimmable Driver as standard.
- Suspension Kit available.
- Emergency compliant with EN 60598-2-22.

### TECHNICAL SPECIFICATIONS

Input Voltage AC	220-240V
Power Factor	>0.95
LED Luminous Flux	20250lm
Luminous Efficacy	>130lm/W
LED Manufacturer	Philips
LED Type	Luxeon 3030
No. of LEDs	210
Driver Manufacturer	Mean Well (ELG)
Driver Output Voltage DC	20-36V
Total Circuit Power (W)	150W +/-5W
Electrical Class	1
Colour Rendering	>80 CRI
Lamp Viewing Angle	110°
Dimmable	1-10v As Standard
Emergency Operation*	>3H
Battery Pack*	3.6V 4.5Ah NiCd Cells
Emergency Conversion*	Liteplan
Operating Temp.	-15°C to +45°C
Lifespan	50,000 Hours
Fire Rating	V-2
Diffuser Material	Polycarbonate
Housing Material	Aluminum
Housing Colour	White
Weight	6.08Kg

\*Emergency version only