

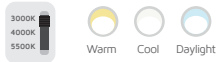
## LED BATTENS

1200mm 18W (4ft)

Tri-Colour 3000K, 4000K and 5500K 2370lm



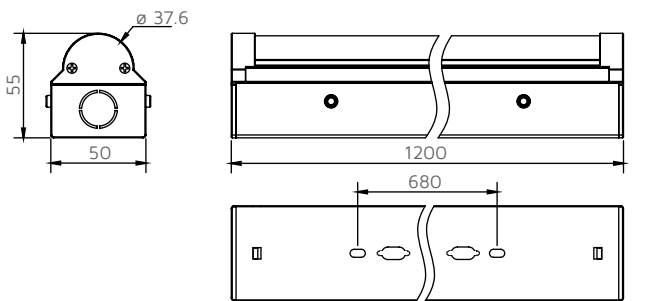
### Tri-Colour



IES Data Files available



### DIMENSIONS



All units are in mm



UK Emergency conversion  
by Lux box Lighting Ltd

### COMPATIBLE ACCESSORIES

Batten/NCF Suspension Kit

NET-46-16-04

Page 228

20mm Microwave Sensor

NET-42-43-20

Page 211

### KEY DATA

Power	18W
Luminous Flux	2300lm / 2370lm / 2300lm
Colour Temperature	3000K / 4000K / 5500K
IP Rating	IP20
Dimensions	1200 x 50 x 55mm
Warranty	5 Years Extended

Part Number

NET-11-11-91

Part Number EM

NET-11-11-92

### TECHNICAL SPECIFICATIONS

Input Voltage AC	100-240V
Power Factor	>0.95
LED Luminous Flux	2500lm
Luminous Efficacy	>138lm/W
LED Manufacturer	Honglitronic
LED Type	SMD 2835
No. of LEDs	156 x 2
Driver Manufacturer	Lifud
Driver Output Voltage DC	36-42V
Total Circuit Power (W)	18W +/-2W
Electrical Class	1
Emergency Operation*	>3H
Battery Pack*	LiFePO4
Emergency Conversion*	Luxbox
Colour Rendering	>80 CRI
Lamp Viewing Angle	120°
Dimmable	No
Flicker free	No
Operating Temp.	-15°C to +45°C
Operating Temp. EM	0°C to +45°C
Lifespan	50,000 Hours
Fire Rating	V-0
UGR Rating	22
Diffuser Material	Polycarbonate
Housing Material	Aluminium
Housing Colour	White
Weight	1.0Kg

\*Emergency version only

### TYPICALLY REPLACES

- 1 x 36W T8 fluorescent.
- 1 x 28W T5 fluorescent.

### FEATURES & BENEFITS

- Rear and end cable entry options.
- Simple clip design and interlocking power cord for easy installation.
- Flat end allows for end-to-end light designs.
- Compliant with EN 60598-2-1.