

### Safety Information

> All electrical work must be undertaken by a qualified contractor to ensure compliance with latest edition BS 7671 and IEE/IET wiring regulations.

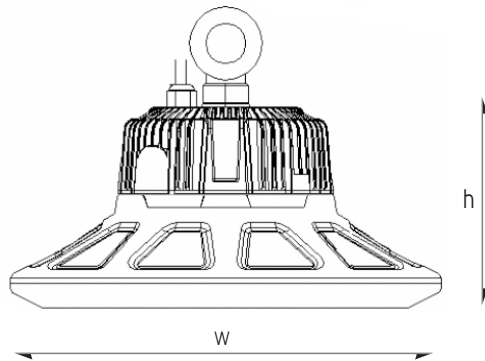
> Before installing an LED High Bay or doing any maintenance, ensure power supply is turned off at the circuit breaker or fuse box.

> This product is designed for permanent connection to fixed wiring; the circuit should be protected with the appropriate MCB or fuse.

### Environment

> Please DO NOT dispose of electrical items or packaging as unsorted waste. Use the recycling facilities provided by your local authorities.

### PRODUCT DIMENSIONS



All units are in mm

High Bay	w	h
150W	330	194
235W	390	205

### Important Warranty Information

The LED High Bay has a 3 year warranty, which can be extended free of charge to 5 years by registering online via the website address below. The registrant must provide the product part number and date of manufacture, which can be found on the label attached to the luminaire housing.



NET LED Ltd.  
Buckingway Business Park  
300 Anderson Road  
Cambridge  
CB24 4UQ  
sales@netled.co.uk  
www.netled.co.uk

Technical Helpline: 01223 851505  
Email: support@netled.co.uk

Drawing No: NET-15-12-IG\_V1  
www.netled.co.uk/downloads

Distributed by



## LED HIGH BAY INSTALLATION GUIDE

### LED HIGH BAY NET-15-12-XX

#### KEY DATA

Light Source	LED	
Power	150W	235W
Luminous Flux	17800lm	28430lm
Luminous Efficacy	>115lm/W	
Colour Temperature	5700K	
Colour Rendering	>80 CRI	
Housing Material	Aluminium	
Diffuser Material	Polycarbonate	
IP Rating	IP65	
Manufacturer	Leyond	

#### SUPPLY/EARTH CLASS

100-240V AC 50/60 Hz

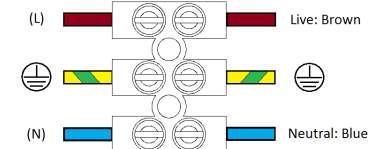


Class I

Fig.1 Mains Input Termination

Luminaire

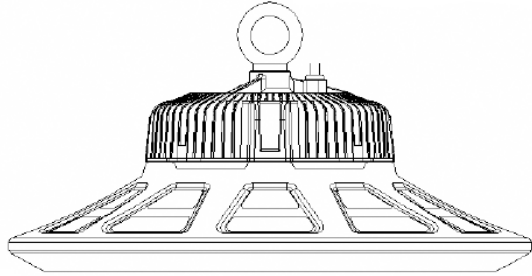
Mains Supply



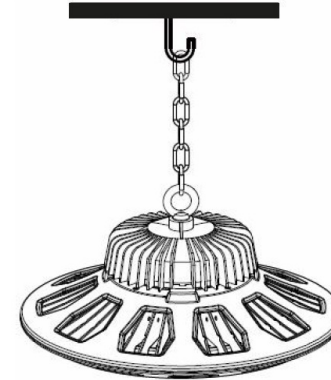
**Installation procedure:** Carefully read the installation instructions and ensure the mains supply is isolated before installation. Please follow the safety information overleaf before carrying out any installation. Please retain this leaflet for future reference.

### High Bay Installation:

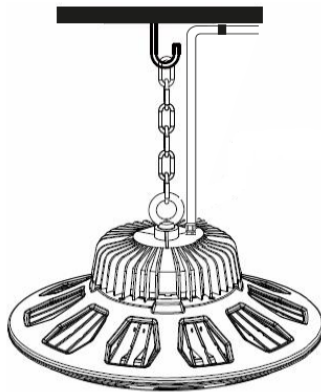
**Step 1:** Carefully remove the High Bay light from the packaging. Take out the eyebolt from the packaging and screw it tight in to the base of the High Bay light.



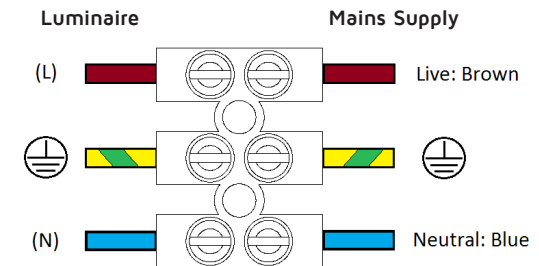
**Step 2:** Mount the High Bay light to the ceiling using a mounting hook and suitable suspension kit.



**Step 3:** Secure the supply cable using suitable clips. Ensure that the cable is not touching the body of the High Bay light .



**Step 4:** Connect the cable to the mains as per the illustration below.



### LED High Power Flood Lights

A series of versatile, IP65 rated units for outdoor applications, ranging from 150W to 250W.

5 Year Extended Warranty.



### LED Slimline Flood Lights

Available in 10W, 30W, 50W, 80W and 100W. The Slimline range is a compact unit compatible with an optional PIR or photocell sensor.



### Full product range available

Visit [www.netled.co.uk](http://www.netled.co.uk) for more commercial LED lighting products, including:

Panel Lights, Downlights, T5 and T8 Tubes, Batten and Linear Luminaires, 2D Bulkheads and retrofit Gear Trays, Non-Corrosive Luminaires and much more.