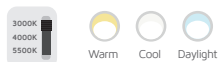


LED WALLPACK

Emergency 40W 3280lm

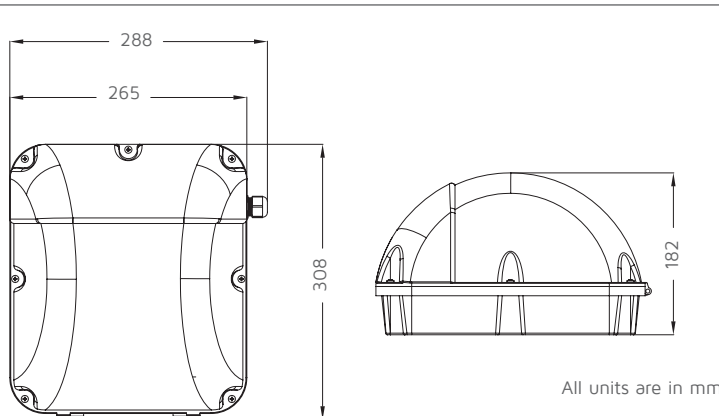


Tri-Colour



IES Data Files available

DIMENSIONS



All units are in mm

TYPICALLY REPLACES

- 70W SON.



UK Emergency conversion
by Lux box Lighting Ltd

KEY DATA

Power	40W
Luminous Flux	2840lm / 3280lm / 2910lm
Colour Temperature	3000K / 4000K / 5500K
IP Rating	IP65
IK Rating	IK08
Dimensions	308 x 288 x 182mm
Warranty	5 Years (Registration Required)

Part Number

NET-11-11-42

FEATURES & BENEFITS

- Weather and dust-proof IP65 rated housing.
- Integral photocell ensures unit is only operational from dusk to dawn.
- Photocell feature can be bypassed as required.
- Compliant with EN 60598-2-1 / Emergency EN 60598-2-22.

TECHNICAL SPECIFICATIONS

Input Voltage AC	220-240V
Power Factor	>0.95
Luminaire Efficacy	82lm/W
LED Manufacturer	Honglitricon
LED Type	SMD 2835
No. of LEDs	84 x 2
Driver Manufacturer	BOKE
Driver Output Voltage DC	36-42V
Total Circuit Power (W)	42.5W +/-5W
Electrical Class	1
Emergency Operation*	>3H
Battery Pack	LiFePO4
Emergency Conversion	Luxbox
Colour Rendering	>80 CRI
Lamp Viewing Angle	125°
Dimmable	No
Operating Temp.	0 to 25°C
Lifespan _{L80}	50,000 Hours
Fire Rating	V-0
UGR Rating	22
Diffuser Material	Polycarbonate
Housing Material	Aluminium
Housing Colour	Black
Weight	3.2Kg