

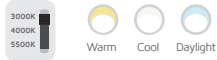
## LED WALLPACK

40W

Tri-Colour 3000K, 4000K and 5500K 3280lm



### Tri-Colour

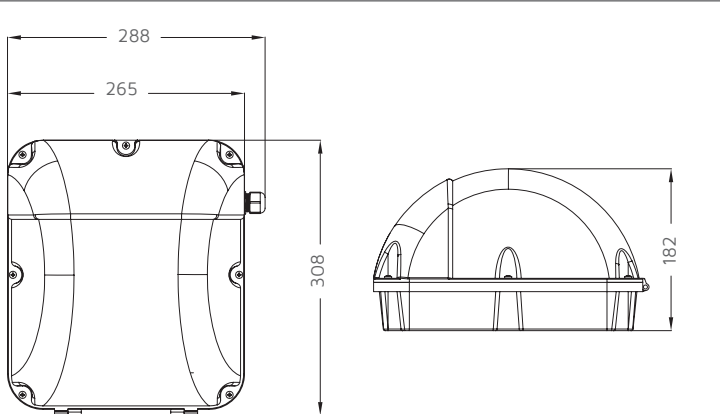


Photocell Sensor



IES Data Files available

### DIMENSIONS



### KEY DATA

Power	40W
Luminous Flux	2840lm / 3280lm / 2910lm
Colour Temperature	3000K / 4000K / 5500K
IP Rating	IP65
IK Rating	IK08
Dimensions	308 x 288 x 182mm
Warranty	5 Years Extended

Part Number

NET-11-11-41

Input Voltage AC	220-240V
Power Factor	>0.95
LED Luminous Flux	4400lm
Luminous Efficacy	110lm/W
LED Manufacturer	Honglitronic
LED Type	SMD 2835
No. of LEDs	84 x 2
Driver Manufacturer	Philips
Driver Output Voltage DC	36-42V
Total Circuit Power (W)	40W +/-5W
Electrical Class	1
Colour Rendering	>80 CRI
Lamp Viewing Angle	125°
Dimmable	No
Operating Temp.	0 to 45°C
Lifespan	50,000 Hours
Fire Rating	V-0
UGR Rating	22
Diffuser Material	Polycarbonate
Housing Material	Aluminium
Housing Colour	Black
Weight	2.7Kg

### TYPICALLY REPLACES

- 70W SON.

### FEATURES & BENEFITS

- Weather and dust-proof IP65 rated housing.
- Integral photocell ensures unit is only operational from dusk to dawn.
- Photocell feature can be bypassed as required.
- Compliant with EN 60598-2-1.