

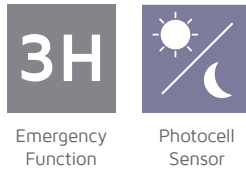
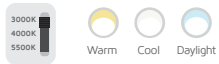
# EMERGENCY LED WALLPACK

40W

Tri-Colour 3000K, 4000K and 5500K 3280lm



## Tri-Colour



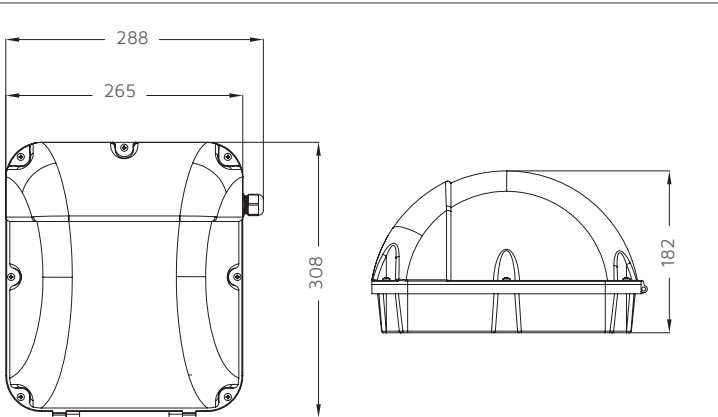
Emergency Function

Photocell Sensor

**PHILIPS**  
DRIVER AS STANDARD

IES Data Files available

## DIMENSIONS



## KEY DATA

Power	40W
Luminous Flux	2840lm / 3280lm / 2910lm
Colour Temperature	3000K / 4000K / 5500K
IP Rating	IP65
IK Rating	IK08
Dimensions	308 x 288 x 182mm
Warranty	5 Years Extended

Part Number EM

NET-11-11-42

## TECHNICAL SPECIFICATIONS

Input Voltage AC	220-240V
Power Factor	>0.95
LED Luminous Flux	4400lm
Luminous Efficacy	110lm/W
LED Manufacturer	Honglitrionic
LED Type	SMD 2835
No. of LEDs	84 x 2
Driver Manufacturer	Philips
Driver Output Voltage DC	36-42V
Total Circuit Power (W)	42.5W +/-5W
Electrical Class	1
Emergency Operation*	>3H
Battery Pack*	LiFePO4
Emergency Conversion*	Luxbox
Colour Rendering	>80 CRI
Lamp Viewing Angle	125°
Dimmable	No
Operating Temp.	0 to 25°C
Lifespan	50,000 Hours
Fire Rating	V-0
UGR Rating	22
Diffuser Material	Polycarbonate
Housing Material	Aluminium
Housing Colour	Black
Weight	3.2Kg

## TYPICALLY REPLACES

- 70W SON.

## FEATURES & BENEFITS

- Weather and dust-proof IP65 rated housing.
- Integral photocell ensures unit is only operational from dusk to dawn.
- Photocell feature can be bypassed as required.
- Emergency compliant with EN 60598-2-22.
- Battery warranty 2 years.



UK Emergency conversion  
by Lux box Lighting Ltd