

### Safety Information

>All electrical work must be undertaken by a qualified contractor to ensure compliance with latest edition BS 7671 and IEE/IET wiring regulations.

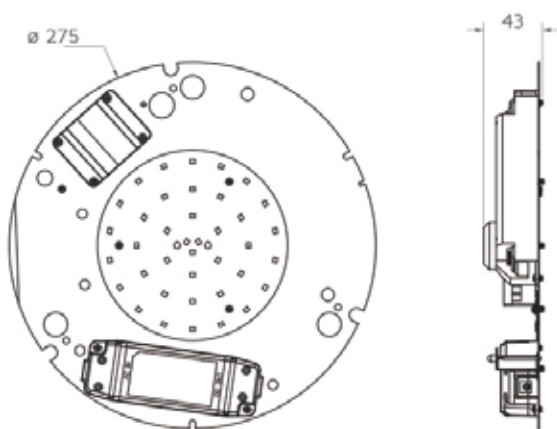
> Before installing an LED Gear Tray or doing any maintenance, ensure power supply is turned off at the circuit breaker or fuse box.

> This product is designed for permanent connection to fixed wiring; the circuit should be protected with the appropriate MCB or fuse.

### Environment

> Please DO NOT dispose of electrical items or packaging as unsorted waste. Use the recycling facilities provided by your local authorities.

## PRODUCT DIMENSIONS



All units are in mm

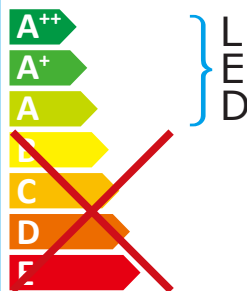
### Important Warranty Information

The LED Gear Tray has a 3 year warranty. To claim you must provide the product part number and date of manufacture, which can be found on the label attached to the luminaire housing along with the original purchase invoice.

Manufactured in China by  
Toppo Co. Ltd.  
NET-11-06-XX



This luminaire contains built-in LED lamps.



The lamps cannot be changed in the luminaire.

874/2012



NET LED Limited  
Buckingham Business Park  
300 Anderson Road  
Cambridge  
CB24 4UQ UK  
sales@netled.co.uk  
www.netled.co.uk

Technical Helpline: 01223 851505  
Email: support@netled.co.uk

www.netled.co.uk/downloads



theLIA  
MEMBER

**NET LED**  
LIGHTING

LED GEAR TRAY  
INSTALLATION  
GUIDE

## LED GEAR TRAY NET-11-06-XX

### KEY DATA



Light Source	LED
Power	16W
Luminous Flux	1900lm
Luminous Efficacy	>100-125lm/W
Colour Temperature	3000K/4000K/5500K
Colour Rendering	>80 CRI
Manufacturer	Toppo Lighting Co

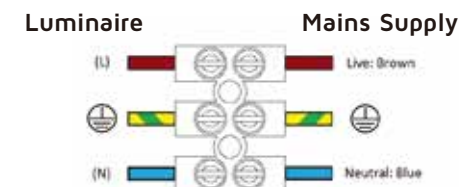
### SUPPLY/EARTH CLASS

220-240V AC 50/60 Hz



Class I

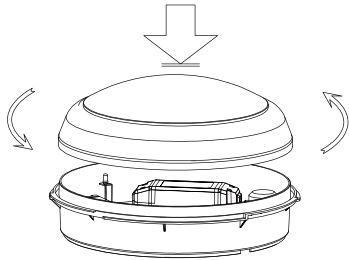
Fig.1 Mains Input Termination



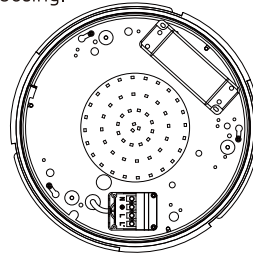
**Installation procedure:** Carefully read the installation instructions and ensure the mains supply is isolated before installation. Please read the safety information overleaf before carrying out any installation. Please retain this leaflet for future reference.

### LED 2D Bulkhead Installation

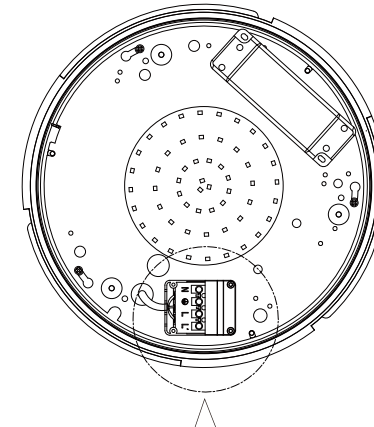
**Step 1:** Remove the diffuser from the existing 2D Bulkhead.



**Step 2:** Remove the existing 2D Gear Tray. Use the fixtures that were holding the existing 2D Gear Tray in place to mount the replacement Gear Tray in the housing.

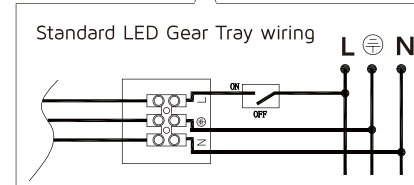
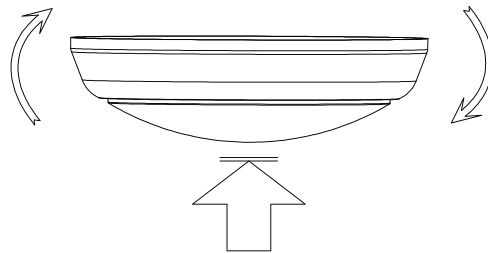


**Step 3:** Unscrew and remove the terminal box lid. Wire the Gear Tray as per the diagram below.



**Note:** A qualified electrician is required to carry out the electrical wiring.

**Step 4:** Secure the power cable. Refit the diffuser. Switch on the mains supply.



### Microwave Motion Sensor configuration - These settings are only for the LED Gear Trays with Microwave Motion Sensor option.



Detection area can be changed by selecting the combinations below on the DIP switches. Maximum detection area 12m.

Refers to the time period the lamp remains at 100% illumination after no motion is detected.

The sensor can be set to only allow the lamp to illuminate below a defined ambient brightness threshold. When set to Disable mode, the daylight sensor will switch on the lamp when motion is detected regardless of ambient light level.

Refers to the time period the lamp remains at a low light level before it completely switches off in the long absence of people. When set to "+∞", the low light is maintained until motion is detected. When set to "0s", the light will turn off after hold time.

Detection Area			Full Brightness Hold Time		Daylight Sensor			10% Corridor Function Time			
ch1	ON	100%	ch3	ON	5S	ch5	ON	Disable	ch7	ON	Off/0s
ch2	ON		ch4	ON		ch6	ON		ch8	ON	
ch1	OFF	75%	ch3	OFF	90S	ch5	OFF	50Lux	ch7	OFF	30s
ch2	ON	50%	ch4	ON		ch6	ON		ch8	ON	
ch1	ON	50%	ch3	ON	3min	ch5	ON	15Lux	ch7	ON	10min
ch2	OFF		ch4	OFF		ch6	OFF		ch8	OFF	
ch1	OFF	25%	ch3	OFF	10min	ch5	OFF	5Lux	ch7	OFF	Always On/+∞
ch2	OFF		ch4	OFF		ch6	OFF		ch8	OFF	

\*Default Set Up On Delivery