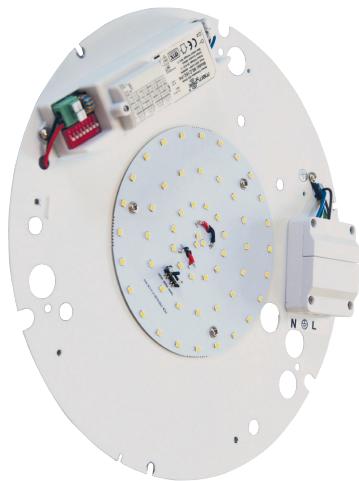
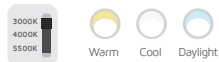


LED GEAR TRAYS

0% or 10% Standby Mode Microwave Motion Sensor
16W Tri-Colour 3000K, 4000K and 5500K 1900lm



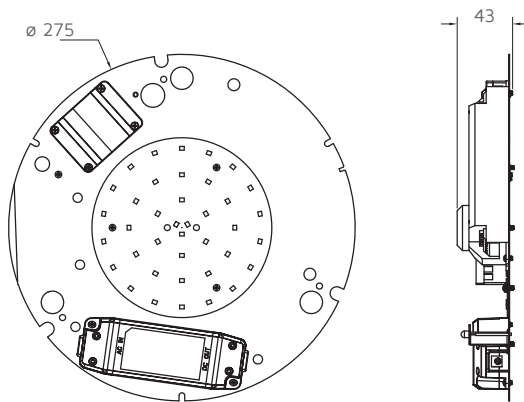
Tri-Colour



Motion Sensor

IES Data Files available

DIMENSIONS



All units are in mm

KEY DATA

Power	16W
Luminous Flux	1650lm / 1900lm / 1650lm
Colour Temperature	3000K / 4000K / 5500K
IP Rating	No
Dimensions	∅ 275 x 43mm
Warranty	3 Years

Part Number

NET-11-06-16

TECHNICAL SPECIFICATIONS

Input Voltage AC	220-240V
Power Factor	>0.9
LED Luminous Flux	1900lm
Luminous Efficacy	110-125lm/W
LED Manufacturer	Honglitricon
LED Type	SMD2835
No. of LEDs	26 x 2
Driver Manufacturer	Merrytek
Driver Output Voltage DC	36-42V
Total Circuit Power (W)	16W +/-1.5W
Electrical Class	1
Colour Rendering	>80 CRI
Lamp Viewing Angle	115°
Dimmable	No
Operating Temp.	-15°C to +45°C
Lifespan	35,000 Hours
Fire Rating	N/A
UGR Rating	More than 19
Diffuser Material	N/A
Housing Material	N/A
Housing Colour	White
Weight	0.41Kg

TYPICALLY REPLACES

- 28W fluorescent 2D lamp in a fitting with motion sensor.

CONFIGURABLE OPTIONS

- Detection area.
- Hold time 5 seconds to 10 minutes.
- Daylight sensitivity.
- Corridor function.
- Compliant with EN 60598-2-1.

COMPATIBLE ACCESSORIES

Black Aluminium Housing	NET-11-06-10	Page 130
Half Moon Cover only	NET-11-06-25	Page 130
PC White Housing	NET-11-06-49	Page 131
PC Black Housing	NET-11-06-51	Page 131