

Safety Information

>All electrical work must be undertaken by a qualified contractor to ensure compliance with latest edition BS 7671 and IEE/IET wiring regulations.

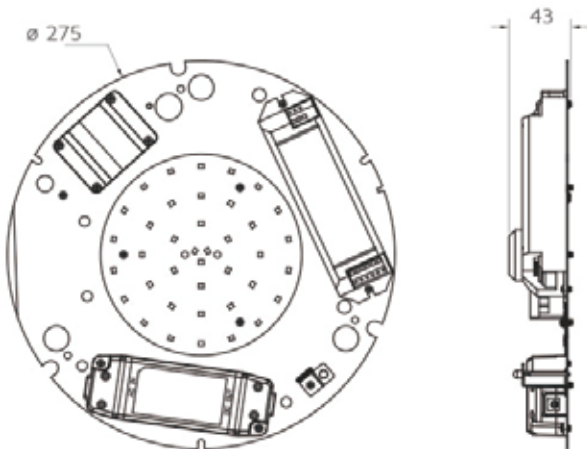
> Before installing an LED Emergency Gear Tray or doing any maintenance, ensure power supply is turned off at the circuit breaker or fuse box.

> This product is designed for permanent connection to fixed wiring; the circuit should be protected with the appropriate MCB or fuse.

Environment

> Please DO NOT dispose of electrical items or packaging as unsorted waste. Use the recycling facilities provided by your local authorities.

PRODUCT DIMENSIONS



All units are in mm

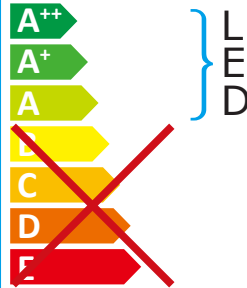
Important Warranty Information

The Gear Tray has a 3 year warranty (The emergency module is covered by a 1 year 3 hour warranty). To claim you must provide the product part number and date of manufacture, which can be found on the label attached to the luminaire housing along with the original purchase invoice.

Manufactured in China by
Toppo Co. Ltd.
NET-11-06-XX



This luminaire contains built-in LED lamps.



The lamps cannot be changed in the luminaire.

874/2012



NET LED Limited
Buckingway Business Park
300 Anderson Road
Cambridge
CB24 4UQ UK
sales@netled.co.uk
www.netled.co.uk

Technical Helpline: 01223 851505
Email: support@netled.co.uk

Drawing No: NET-11-06-IG_V2
www.netled.co.uk/downloads



theLIA
MEMBER

Distributed by



**LED EM GEAR TRAY
INSTALLATION
GUIDE**

LED EM GEAR TRAY NET-11-06-XX

KEY DATA



Light Source	LED
Power	16W
Luminous Flux	1900lm
Luminous Efficacy	>100-125lm/W
Colour Temperature	3000K/4000K/5500K
Colour Rendering	>80 CRI
Manufacturer	Toppo Lighting Co

SUPPLY/EARTH CLASS

220-240V AC 50/60 Hz

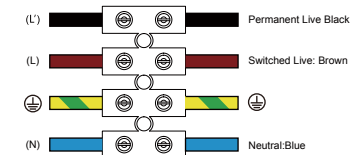


Class I

Fig.1 Mains Input Termination

Luminaire

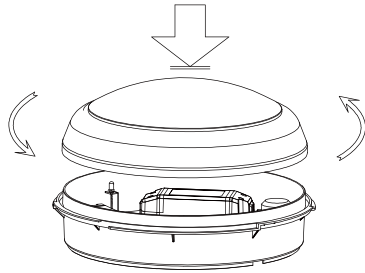
Mains Supply



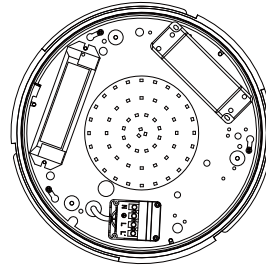
Installation procedure: Carefully read the installation instructions and ensure the mains supply is isolated before installation. Please read the safety information overleaf before carrying out any installation. Please retain this leaflet for future reference. For Emergency Functions and Battery Maintenance, please refer to the attached installation guide.

LED Emergency Gear Tray installation:

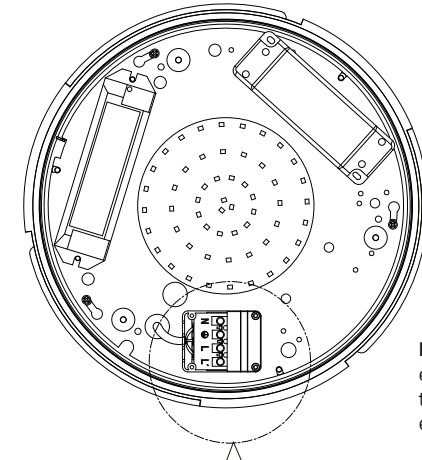
Step 1: Remove the diffuser from existing 2D Bulkhead.



Step 2: Remove the existing 2D Gear Tray. Use the fixtures that were holding the existing 2D Gear Tray in place to mount the replacement Gear Tray in the housing.

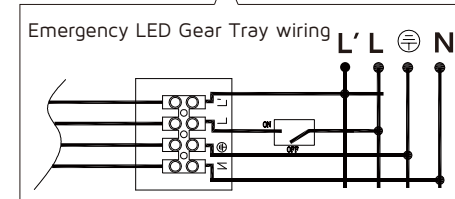
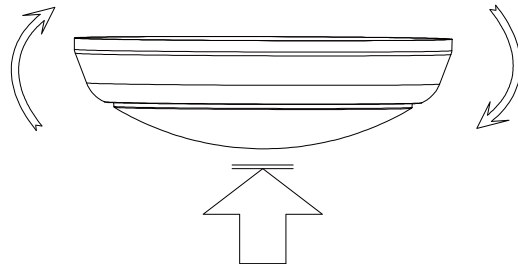


Step 3: Unscrew and remove the terminal box lid. Wire the Gear Tray as per the diagram below.



Note: A qualified electrician is required to carry out the electrical wiring.

Step 4: Secure the power cable. Refit the diffuser. Switch on the mains supply.



Microwave Motion Sensor configuration - These settings are only for LED Gear Trays with Microwave Motion Sensor option.



Detection Area				Full Brightness Hold Time		Daylight Sensor		10% Corridor Function Time		
ch1	ON	100%	ch3	ON	5S	ch5	ON	ch7	ON	Off/0s
ch2	ON		ch4	ON		ch6	ON	ch8	ON	
ch1	OFF	75%	ch3	OFF	90S	ch5	OFF	ch7	OFF	30s
ch2	ON	50%	ch4	ON	3min	ch6	ON	ch8	ON	10min
ch1	OFF	25%	ch3	OFF	10min	ch5	OFF	ch7	OFF	Always On/+∞
ch2	OFF		ch4	OFF		ch6	OFF	ch8	OFF	

*Default Set Up On Delivery