

Safety Information

>All electrical work must be undertaken by a qualified contractor to ensure compliance with latest edition BS 7671 and IEE/IET wiring regulations.

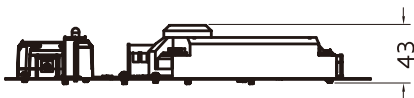
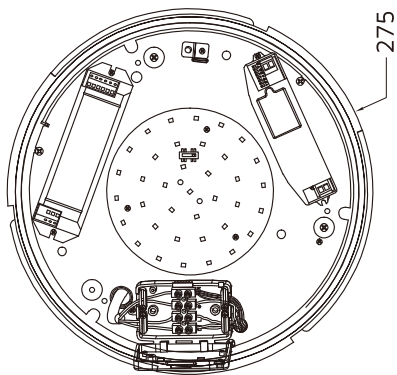
> Before installing an LED Emergency Gear Tray or doing any maintenance, ensure power supply is turned off at the circuit breaker or fuse box.

> This product is designed for permanent connection to fixed wiring; the circuit should be protected with the appropriate MCB or fuse.

Environment

> Please DO NOT dispose of electrical items or packaging as unsorted waste. Use the recycling facilities provided by your local authorities.

PRODUCT DIMENSIONS



All units are in mm

Important Warranty Information

The Gear Tray has a 3 year warranty (The emergency module is covered by a 1 year 3 hour warranty). To claim you must provide the product part number and date of manufacture, which can be found on the label attached to the luminaire housing along with the original purchase invoice.



ISO 9001:2008
FS 590684



ISO 9001:2004
EMS 590685

NET LED Limited
Buckingway Business Park
300 Anderson Road
Cambridge
CB24 4UQ UK
sales@netled.co.uk
www.netled.co.uk

Technical Helpline: 01223 851505
Email: support@netled.co.uk

Drawing No: NET-11-06-IG_V2
www.netled.co.uk/downloads

Distributed by



**LED EM GEAR TRAY
INSTALLATION
GUIDE**

LED EM GEAR TRAY NET-11-06-XX

KEY DATA



Light Source	LED
Power	16W
Luminous Flux	1900lm
Luminous Efficacy	>100-125lm/W
Colour Temperature	3000K/4000K/5500K
Colour Rendering	>80 CRI
Manufacturer	Toppo Lighting Co

SUPPLY/EARTH CLASS

220-240V AC 50/60 Hz

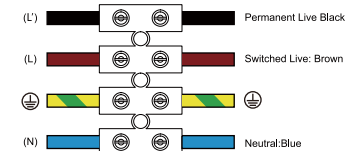


Class I

Fig.1 Mains Input Termination

Luminaire

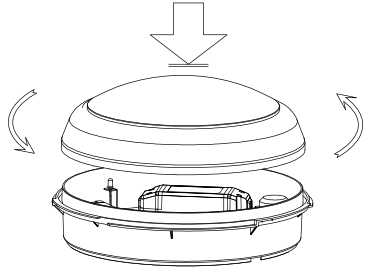
Mains Supply



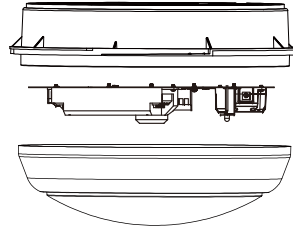
Installation procedure: Carefully read the installation instructions and ensure the mains supply is isolated before installation. Please read the safety information overleaf before carrying out any installation. Please retain this leaflet for future reference. For Emergency Functions and Battery Maintenance, please refer to the attached installation guide.

2D Bulkhead Installation

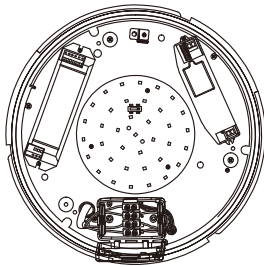
Step 1: Remove the diffuser from existing 2D Bulkhead.



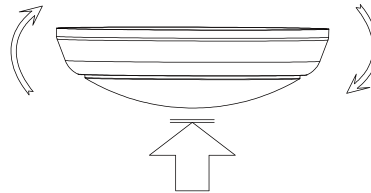
Step 2: Remove the existing 2D Gear Tray. Keep the screws/brackets etc. that were used to hold the existing 2D Gear Tray in place and use them to mount the replacement NET LED Gear Tray.



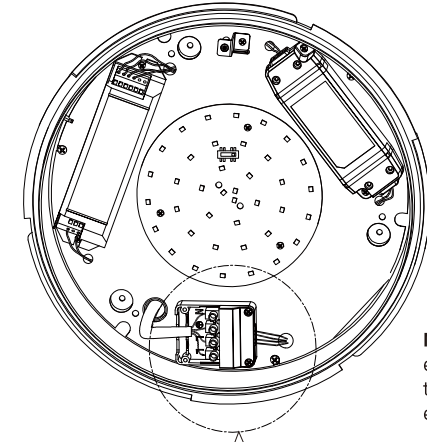
Step 3: Unscrew and remove the terminal box lid. Wire the gear tray as per Wiring Diagram 1.



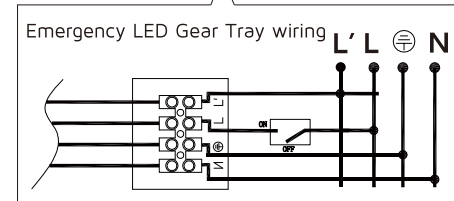
Step 4: Secure the power cable. Refit the diffuser.



Wiring Diagram 1



Note: A qualified electrician is required to carry out the electrical wiring.



Microwave Motion Sensor configuration - These settings are only for LED Gear Trays with Microwave Motion Sensor option.



Detection Area				Full Brightness Hold Time		Daylight Sensor		10% Corridor Function Time			
ch1	ON	100%	ch3	ON	5S	ch5	ON	Disable	ch7	ON	Off/0s
ch2	ON		ch4	ON		ch6	ON		ch8	ON	
ch1	OFF	75%	ch3	OFF	90S	ch5	OFF	50Lux	ch7	OFF	30s
ch2	ON		ch4	ON		ch6	ON		ch8	ON	
ch1	ON	50%	ch3	ON	3min	ch5	ON	15Lux	ch7	ON	10min
ch2	OFF		ch4	OFF		ch6	OFF		ch8	OFF	
ch1	OFF	25%	ch3	OFF	10min	ch5	OFF	5Lux	ch7	OFF	Always On/+∞
ch2	OFF		ch4	OFF		ch6	OFF		ch8	OFF	

*Default Set Up On Delivery