

## LED AC FLOOD LIGHTS

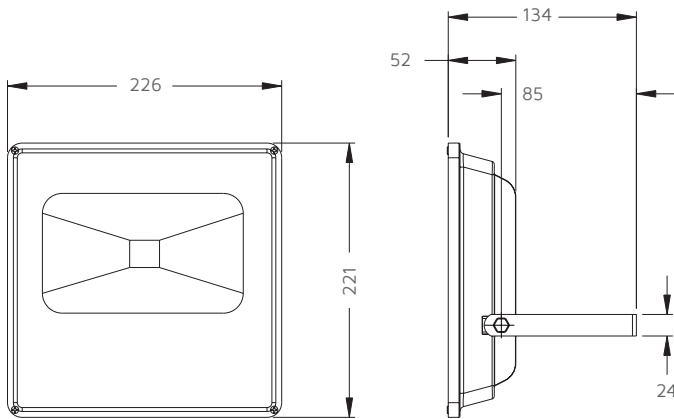
40W

4000K 3300lm



IES Data Files available

### DIMENSIONS



### KEY DATA

|                    |                  |
|--------------------|------------------|
| Power              | 40W              |
| Luminous Flux      | 3300lm           |
| Colour Temperature | 4000K            |
| IP Rating          | IP66             |
| IK Rating          | IK08             |
| Dimensions         | 226 x 221 x 52mm |
| Warranty           | 2 Years          |

Part Number

NET-15-04-83

### TECHNICAL SPECIFICATIONS

|                          |                |
|--------------------------|----------------|
| Input Voltage AC         | 200-240V       |
| Power Factor             | >0.90          |
| LED Luminous Flux        | 4800lm         |
| Luminous Efficacy        | >120lm/W       |
| LED Manufacturer         | Sanan          |
| LED Type                 | 3030 SMD       |
| No. of LEDs              | 66             |
| Driver Manufacturer      | N/A            |
| Driver Output Voltage DC | N/A            |
| Total Circuit Power (W)  | 35W +/-4W      |
| Electrical Class         | 1              |
| Colour Rendering         | >75 CRI        |
| Lamp Viewing Angle       | 120°           |
| Dimmable                 | No             |
| Operating Temp.          | -15°C to +45°C |
| Lifespan                 | 35,000 Hours   |
| UGR Rating               | 22             |
| Diffuser Material        | Glass          |
| Housing Material         | Aluminium      |
| Housing/Frame Colour     | White          |
| Weight                   | 1.25Kg         |

### TYPICALLY REPLACES

- 300W tungsten halogen.

### FEATURES & BENEFITS

- Weather and dust-proof IP66 rated housing.
- Driverless technology.
- Compliant with EN 60598-2-5.