

## LED AC FLOOD LIGHTS

60W 4000K 5400lm



### KEY DATA

Power	60W
Luminous Flux	5400lm
Colour Temperature	4000K
IP Rating	IP66
IK Rating	IK08
Dimensions	283 x 273 x 60mm
Warranty	2 Years

Part Number

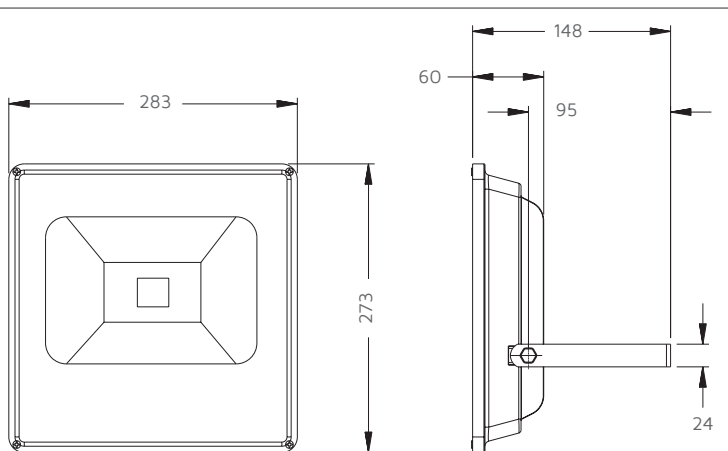
NET-15-04-85

### FEATURES & BENEFITS

- Weather and dust-proof IP66 rated housing.
- Driverless technology.
- Compliant with EN 60598-2-5.

IES Data Files available

### DIMENSIONS



All units are in mm

### TYPICALLY REPLACES

- 500W tungsten halogen.

### TECHNICAL SPECIFICATIONS

Input Voltage AC	200-240V
Power Factor	>0.90
Luminaire Efficacy	90lm/W
LED Manufacturer	Sanan
LED Type	3030 SMD
No. of LEDs	110
Driver Manufacturer	N/A
Driver Output Voltage DC	N/A
Total Circuit Power (W)	56W +/-4W
Electrical Class	1
Colour Rendering	>75 CRI
Lamp Viewing Angle	120°
Dimmable	No
Operating Temp.	-15°C to +45°C
Lifespan <sub>L80</sub>	35,000 Hours
UGR Rating	22
Diffuser Material	Glass
Housing Material	Aluminium
Housing/Frame Colour	White
Weight	1.9Kg

### Product Summary

Part Number	Range	Description/Dimensions	Power	Colour Temp.	Lumens	Page
NET-15-04-81	Denton	White AC Flood Light	20W	4000K	2000lm	178
NET-15-04-83	Denton	White AC Flood Light	40W	4000K	3300lm	179
NET-15-04-85	Denton	White AC Flood Light	60W	4000K	5400lm	180