

**LED AC FLOOD LIGHTS**

20W 4000K 2000lm

**KEY DATA**

Power	20W
Luminous Flux	2000lm
Colour Temperature	4000K
IP Rating	IP66
IK Rating	IK08
Dimensions	183 x 179 x 40mm
Warranty	2 Years

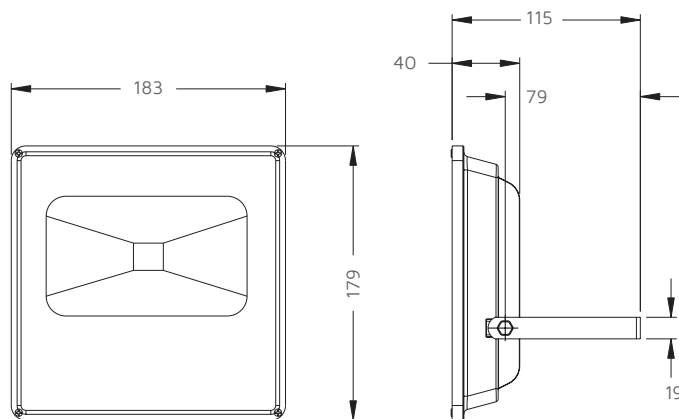
Part Number

NET-15-04-81

**FEATURES & BENEFITS**

- Weather and dust-proof IP66 rated housing.
- Driverless technology.
- Compliant with EN 60598-2-5.

IES Data Files available

**DIMENSIONS**

All units are in mm

**TYPICALLY REPLACES**

- 150W tungsten halogen.

**TECHNICAL SPECIFICATIONS**

Input Voltage AC	200-240V
Power Factor	>0.90
Luminaire Efficacy	100lm/W
LED Manufacturer	Sanan
LED Type	3030 SMD
No. of LEDs	42
Driver Manufacturer	N/A
Driver Output Voltage DC	N/A
Total Circuit Power (W)	20W +/-1W
Electrical Class	1
Colour Rendering	>75 CRI
Lamp Viewing Angle	120°
Dimmable	No
Operating Temp.	-15°C to +45°C
Lifespan <sub>L80</sub>	35,000 Hours
UGR Rating	22
Diffuser Material	Glass
Housing Material	Aluminium
Housing/Frame Colour	White
Weight	0.8Kg