

## UNIVERSAL CONTROLS DALI Dimmer



### KEY DATA

Input Voltage AC	220-240V
Power Frequency	50-60 Hz
Maximum Load	25 Luminaires
Dimming Range	5% - 100%
Operating Temp.	0°C to +45°C
Lifespan	50.000 Hours
IP Rating	IP20
Dimensions (Plate)	84 x 84mm
Dimensions (Recessed)	ø 55.4 x 31mm
Warranty	3 Years

Part Number

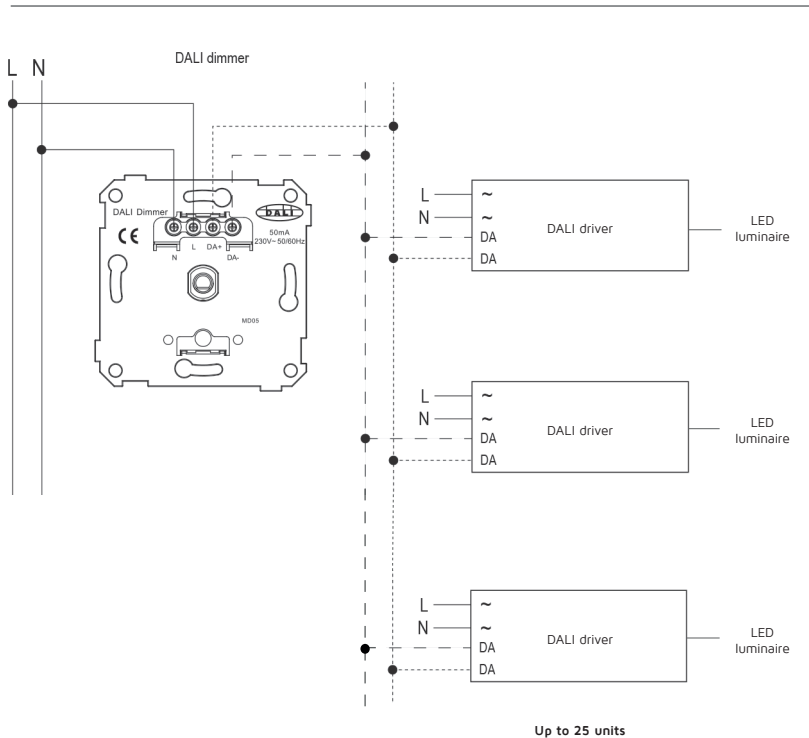
**NET-42-43-24**

The DALI Dimmer can be used to control up to 25 DALI compatible luminaires.

Allows users to manually switch the lights on/off and control the brightness. Memory function enables luminaires to be switched on at a pre-set brightness.

Up to 4 DALI Dimmers can be connected in single circuit to set up multiple control points. This is particularly useful in hallways or stairways.

### WIRING



### SUITABLE FOR

- Suitable for use with all Dali dimming drivers
- Can be recessed or surface mounted in a 45mm deep pattress
- Fits on an internal standard pattress
- Ideal for dimming panels or downlights

### COMPATIBLE NET LED DIMMING DRIVERS

Merrytek Dimming Driver 20W	<b>NET-42-43-14</b>	Page 220
Merrytek Dimming Driver 40W	<b>NET-42-43-16</b>	Page 220
Merrytek Dimming Driver 60W	<b>NET-42-43-18</b>	Page 221

### FEATURES & BENEFITS

- Pre-set brightness memory function
- Option of multiple dimmers in a single circuit
- Energy and cost saving solution
- Up to 25 luminaires
- On/Off function