

UNIVERSAL CONTROLS

Daylight Sensor
1-10V output

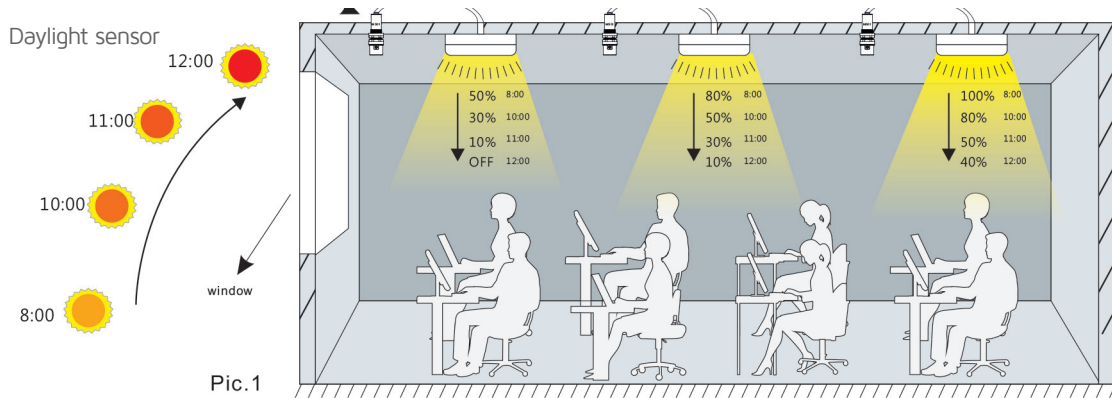


KEY DATA

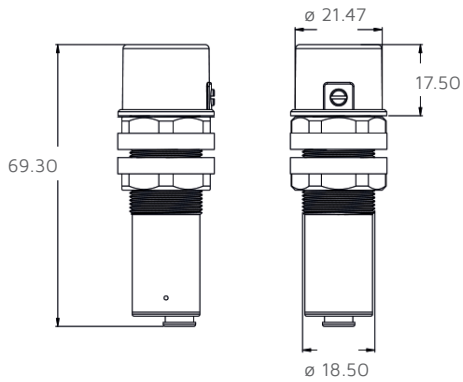
Operating Voltage DC	1-10V
Max. current sink	50mA (Maximum rating)
Dimming Range	1%-100%
Operating Temp.	0°c to +45°c
Detection Angle	90°
IP Rating	IP20
Dimensions	69.3 x ø 21.47mm
Warranty	3 Years

Part Number

NET-42-43-12



DIMENSIONS



SUITABLE FOR

- This Daylight Sensor has been specifically designed to work with 1-10V dimmable Drivers and Luminaires. This sensor can control the light level of up to 8 fittings, in accordance with the daylight harvesting setting selected.

FEATURES & BENEFITS

- Distinguishes between artificial and natural light.
- Can be precisely pre-set via Rotary wheel (potentiometer).
- Directly connected to 1-10V interface.
- Control up to 8 fittings.
- Flexible mounting options.
- Compatible with any 1-10V Dimming Driver.

Product Summary

Part Number	Range	Description/Dimensions	Power	Page
NET-42-43-02	Universal Controls	Merrytek Microwave Sensor - Internal	400W Max Load	210
NET-42-43-04	Universal Controls	Merrytek Microwave Sensor - Ceiling Mount	400W Max Load	212
NET-42-43-06	Universal Controls	Merrytek Microwave Sensor - Ceiling Mount - 2 Outputs	2 x 200W Max Load	213
NET-42-43-08	Universal Controls	Merrytek IP65 Dimming Microwave Sensor	800W Max Load	206 / 214
NET-42-43-10	Universal Controls	Merrytek Daylight Switch - Internal	400W Max Load	215
NET-42-43-12	Universal Controls	Merrytek Daylight Dimmer 1-10V	N/A	216
NET-42-43-20	Universal Controls	Microwave Motion Sensor for 20mm Knock Out	400W Max Load	211