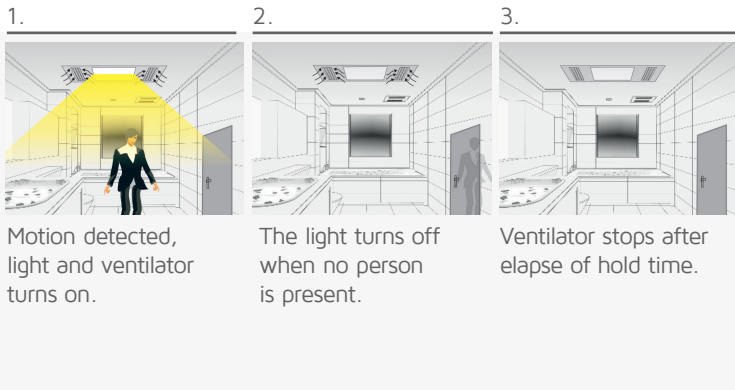


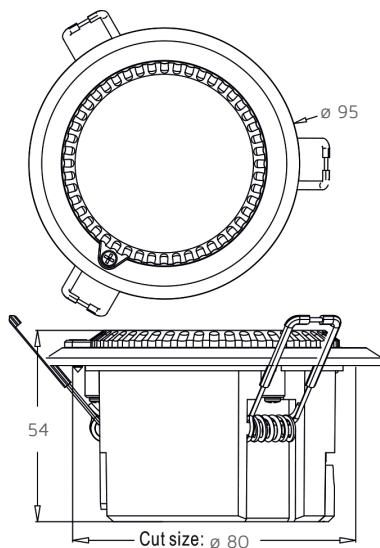
UNIVERSAL CONTROLS

Microwave Sensor

Ceiling Mount - 2 outputs



DIMENSIONS



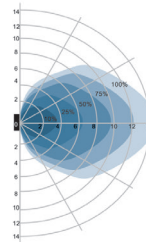
KEY DATA

Input Voltage AC	220-240V
Power Frequency	50/60Hz
Maximum Load	2 x 200W
Maximum Detection Distance	6m
Maximum Mounting Height	4m
Detection Angle	150° (wall mt) 360° (ceiling mt)
Maximum Detection Area	10m x 4m
Operating Temp.	-20°c to +45°c
Illuminated Duration	5s - 10min
Ventilator Duration	5s - 20min
Lux Levels	5lux - 50lux or Disabled
IP Rating	IP20
Dimensions	ø 95 x 54mm
Cut-Out Size	80mm
Warranty	3 Years

Part Number

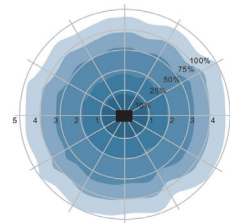
NET-42-43-06

DETECTION PATTERN



Wall mounting pattern
(unit:m)

Suggested installation
height 1-1.8m



Ceiling mounting pattern
(unit:m)

Suggested installation
height 2.5-4m

SUITABLE FOR

- Complete with Microwave Motion sensor, this is ideal for installation with LED Panels and Downlights.
- Integral Photocell.

FEATURES & BENEFITS

- Wide detection area, up to 12m in diameter.
- Detection Area can be set via DIP switches.
- Illuminating Duration can be set via DIP switches.
- Light Sensor can be set via DIP switches.
- Can be mount recessed into the ceiling surface or above the ceiling surface.
- Universal Microwave Sensor allows you to switch any manufacturer's Luminaire up to 2x 200W load.
- 2 different outputs with 2 independent time controls.