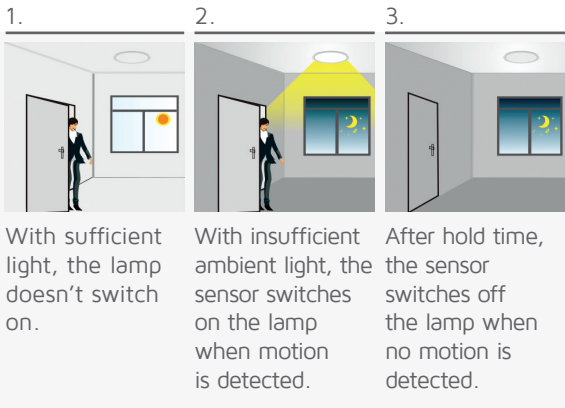


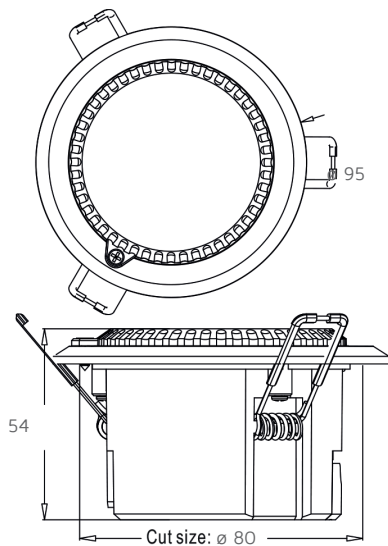
## UNIVERSAL CONTROLS

### Microwave Sensor

### Ceiling Mount



#### DIMENSIONS



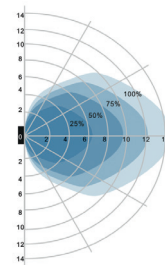
#### KEY DATA

Input Voltage AC	220-240V
Power Frequency	50Hz
Maximum Load	400W
Maximum Detection Distance	6m
Detection Angle	150° (wall mt) 360° (ceiling mt)
Operating Temp.	-20°C to +45°C
Duration	5s - 30min
Lux Levels	5lux - 150lux or Disabled
IP Rating	IP20
Dimensions	$\varnothing$ 95 x 54mm
Cut-Out Size	80mm
Warranty	3 Years

Part Number

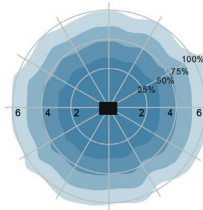
NET-42-43-04

#### DETECTION PATTERN



Wall mounting pattern  
(unit:m)

Suggested installation  
height 1-1.8m



Ceiling mounting pattern  
(unit:m)

Suggested installation  
height 2.5-6m

#### SUITABLE FOR

- Complete with Microwave Motion sensor, this is ideal for installation with LED Panels and Downlights.
- Integral Photocell.

#### FEATURES & BENEFITS

- Wide detection area, up to 12m in diameter.
- Detection Area can be set via DIP switches.
- Illuminating Duration can be set via DIP switches.
- Light Sensor can be set via DIP switches.
- Can be mount recessed into the ceiling surface or above the ceiling surface.
- Universal Microwave Sensor allows you to switch any manufacturer's Luminaire up to 400W load.