

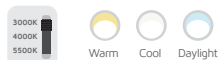
LED DOWNLIGHTS

8" 20W 200-205mm Cut-Out

Tri-Colour 3000K, 4000K and 5500K 2190lm



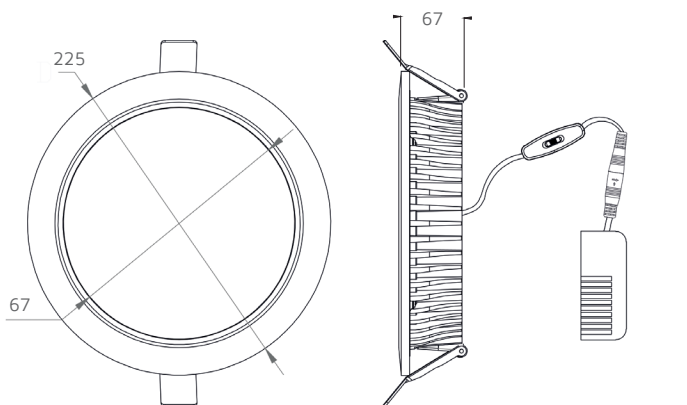
Tri-Colour



IES Data Files available



DIMENSIONS



KEY DATA

Power	20W
Luminous Flux	2100lm / 2190lm / 2130lm
Colour Temperature	3000K / 4000K / 5500K
IP Rating	IP65 Front / IP20 Rear
Dimensions	ø 225 x 67mm
Cut-Out Size	ø 200-205mm
Warranty	5 Years Extended

Part Number

NET-11-05-76

TECHNICAL SPECIFICATIONS

Input Voltage AC	220-240V
Power Factor	>0.9
LED Luminous Flux	2850lm
Luminous Efficacy	140lm/W
LED Manufacturer	Honglitronic
LED Type	SMD2835
No. of LEDs	108 x 2
Driver Manufacturer	Lifud
Driver Output Voltage DC	36-42V
Total Circuit Power (W)	20W
Electrical Class	3
Colour Rendering	>80 CRI
Lamp Viewing Angle	110°
Dimmable	Optional Upgrade
Flicker free	Yes
Operating Temp.	-15°C to +45°C
Lifespan	50,000 Hours
Diffuser Flammability Rating	TP(a)
UGR Rating	More than 19
Diffuser	Polycarbonate
Housing Material	Aluminum
Housing Colour	White
Weight	0.83Kg

TYPICALLY REPLACES

- 2 x 26W CFL.

FEATURES & BENEFITS

- Selectable 3000K, 4000K or 5500K colour temperature via switch mechanism.
- Shatterproof polycarbonate diffuser.
- Stainless steel retaining clips.
- Compliant with EN 60598-2-2.
- High lumens per watt.

COMPATIBLE ACCESSORIES

20W Dimmable Driver	NET-42-43-14	Page 220
3H PNL EMKIT	NET-21-33-03	Page 236
DALI EMKIT	NET-19-33-15	Page 240
Microwave Sensor Ceiling Mount	NET-42-43-04	Page 212
Microwave Sensor Ceiling Mount 2 output	NET-42-43-06	Page 213