

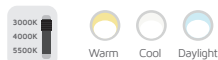
## LED DOWNLIGHTS

4" 7W 120-125mm Cut-Out

Tri-Colour 3000K, 4000K and 5500K 730lm



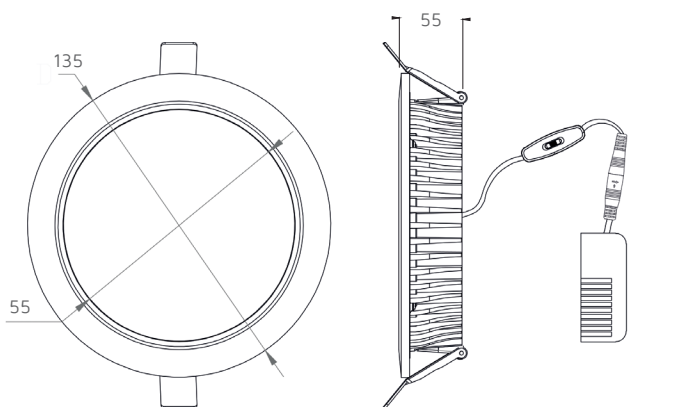
### Tri-Colour



IES Data Files available



### DIMENSIONS



### KEY DATA

|                    |                        |
|--------------------|------------------------|
| Power              | 7W                     |
| Luminous Flux      | 710lm / 730lm / 720lm  |
| Colour Temperature | 3000K / 4000K / 5500K  |
| IP Rating          | IP65 Front / IP20 Rear |
| Dimensions         | ø 135 x 55mm           |
| Cut-Out Size       | ø 120-125mm            |
| Warranty           | 5 Years Extended       |

Part Number

NET-11-05-72

### TECHNICAL SPECIFICATIONS

|                              |                  |
|------------------------------|------------------|
| Input Voltage AC             | 220-240V         |
| Power Factor                 | >0.9             |
| LED Luminous Flux            | 1000lm           |
| Luminous Efficacy            | 140lm/W          |
| LED Manufacturer             | Honglitricon     |
| LED Type                     | SMD2835          |
| No. of LEDs                  | 60 x 2           |
| Driver Manufacturer          | Lifud            |
| Driver Output Voltage DC     | 36-42V           |
| Total Circuit Power (W)      | 7W               |
| Electrical Class             | 3                |
| Colour Rendering             | >80 CRI          |
| Lamp Viewing Angle           | 110°             |
| Dimmable                     | Optional Upgrade |
| Flicker free                 | Yes              |
| Operating Temp.              | -15°C to +45°C   |
| Lifespan                     | 50,000 Hours     |
| Diffuser Flammability Rating | TP(a)            |
| UGR Rating                   | More than 19     |
| Diffuser                     | Polycarbonate    |
| Housing Material             | Aluminum         |
| Housing Colour               | White            |
| Weight                       | 0.45Kg           |

### TYPICALLY REPLACES

- 1 x 50W dichroic halogen.

### FEATURES & BENEFITS

- Selectable 3000K, 4000K or 5500K colour temperature via switch mechanism.
- Shatterproof polycarbonate diffuser.
- Stainless steel retaining clips.
- Compliant with EN 60598-2-2.
- High lumens per watt.

### COMPATIBLE ACCESSORIES

|   |              |          |
|---|--------------|----------|
| 3H PNL EMKIT                            | NET-21-33-03 | Page 236 |
| DALI EMKIT                              | NET-19-33-15 | Page 240 |
| Microwave Sensor Ceiling Mount          | NET-42-43-04 | Page 212 |
| Microwave Sensor Ceiling Mount 2 output | NET-42-43-06 | Page 213 |