

LED EMERGENCY LIGHTING

IP20 EM Twin Spot 5.2W

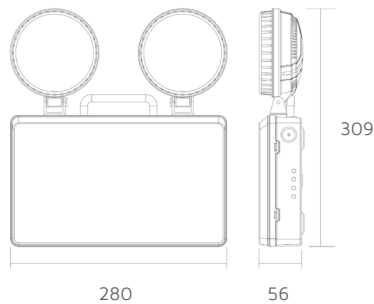


3H

Emergency
Function

IES Data Files available

DIMENSIONS



All units are in mm

KEY DATA

Power	5.2W
Luminous Flux	2 x 193lm
Colour Temperature	6500K
IP Rating	IP20
Dimensions	280 x 308.5 x 55.5mm
Warranty	3 Years

Part Number

NET-44-10-68

FEATURES & BENEFITS

- Directional heads.
- Rear or side entry.
- Non-maintained Emergency.
- Compliant with EN 60598-2-22.

TECHNICAL SPECIFICATIONS

Input Voltage AC	220-240V
Power Factor	>0.90
No. of LEDs	80
Driver Manufacturer	DPPUL
Total Circuit Power (W)	5.2W +/- 0.5W
Electrical Class	1
Operating Temp.	0°C to +40°C
Lamp Viewing Angle	30°
Lifespan L_{80}	50,000 Hours
Battery Pack	Ni-Cd D3.6V 4500 mAh
Battery Warranty	1 Year
Charge Time	24 Hours
Discharge Time	>3 Hours
Self Test	No
Maintained	No
Housing Material	Polycarbonate
Housing/Frame Colour	White
Weight	1.1Kg

SUITABLE FOR

- Indoor applications eg. warehouses and workshops.