

## LED HIGH POWER LIGHTS

300W

5000K 39120lm



**PHILIPS**

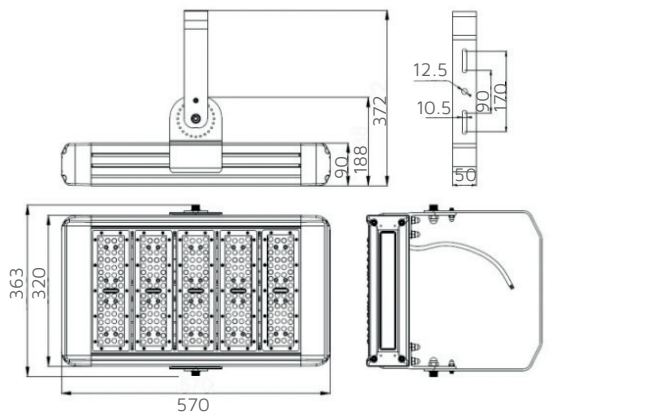


IES Data Files available

LED CHIPS

DRIVER AS STANDARD

### DIMENSIONS



### KEY DATA

Power	300W
Luminous Flux	39120lm
Colour Temperature	5000K
IP Rating	IP65
IK Rating	IK10
Dimensions	570 x 363 x 372mm
Warranty	5 Years Extended

Part Number

NET-23-04-61

### TECHNICAL SPECIFICATIONS

Input Voltage AC	100-240V
Power Factor	>0.97
LED Luminous Flux	46120lm
Luminous Efficacy	129lm/W
LED Manufacturer	Philips
LED Type	SMD3030
No. of LEDs	280
Driver Manufacturer	Meanwell
Driver Output Voltage DC	36-48V
Total Circuit Power (W)	300W
Electrical Class	1
Colour Rendering	>70
Lamp Viewing Angle	30°x70°
Dimmable	No
Operating Temp.	-15°C to +45°C
Lifespan	50.000 Hours
Fire Rating	V-1
UGR Rating	<25
Diffuser Material	PMMA Lens
Housing Material	Aluminum
Housing Colour	Black
Weight	13.2Kg

### TYPICALLY REPLACES

- 500W metal halide.

### FEATURES & BENEFITS

- Weather and dust-proof IP65 rated housing.
- Impact resistant IK10 housing.
- Asymmetric beam angle for sports lighting.
- Low maintenance back plate with a protective mesh.
- Adjustable bracket for easy installation.
- Multiple Drivers for greater reliability.
- Compliant with EN 60598-2-1.