

LED HIGH POWER FLOOD LIGHTS

250W

6000K 27100lm

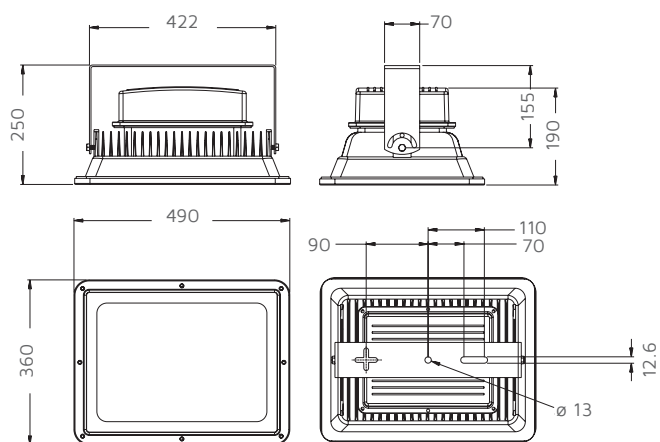


PHILIPS

DRIVER AS STANDARD

IES Data Files available

DIMENSIONS



All units are in mm

KEY DATA

Power	250W
Luminous Flux	27100lm
Colour Temperature	6000K
IP Rating	IP65
IK Rating	IK08
Dimensions	490 x 360 x 250mm
Warranty	5 Years Extended

Part Number

NET-15-04-17

TECHNICAL SPECIFICATIONS

Input Voltage AC	220-240V
Power Factor	>0.95
LED Luminous Flux	29200lm
Luminous Efficacy	>110lm/W
LED Manufacturer	Bridgelux
LED Type	BCFD 45mil
LED Wattage	4 x 70W
No. of LEDs	4
Driver Manufacturer	Philips
Driver Output Voltage DC	30-36V
Total Circuit Power (W)	250W +/-5%
Electrical Class	1
Colour Rendering	>70 CRI
Lamp Viewing Angle	120°
Dimmable	No
Operating Temp.	-15°C to +45°C
Lifespan	50,000 Hours
UGR Rating	22
Diffuser Material	Glass
Housing Material	Aluminum
Housing Colour	Grey
Weight	13.5Kg

TYPICALLY REPLACES

- 500W metal halide.
- 500W SON.

COMPATIBLE ACCESSORIES

360 Degree Bracket 200W & 250W

NET-15-16-03



FEATURES & BENEFITS

- Weather and dust-proof IP65 rated housing.
- Heavy duty stirrup bracket for secure mounting.
- Anti-corrosive paint treatment.
- Cast aluminium housing for heat dissipation.
- Optional 360 Degree Bracket.
- Compliant with EN 60598-2-5.