

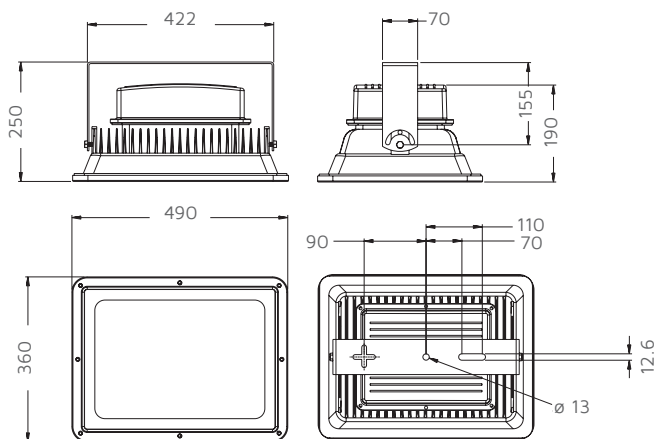
LED HIGH POWER FLOOD LIGHTS
200W
6000K 21590lm



PHILIPS
 DRIVER AS STANDARD

IES Data Files available

DIMENSIONS



All units are in mm

COMPATIBLE ACCESSORIES

360 Degree Bracket 200W & 250W

NET-15-16-03



KEY DATA

Power	200W
Luminous Flux	21590lm
Colour Temperature	6000K
IP Rating	IP65
IK Rating	IK08
Dimensions	425 x 325 x 200mm
Warranty	5 Years Extended

Part Number

NET-15-04-15

TECHNICAL SPECIFICATIONS

Input Voltage AC	220-240V
Power Factor	>0.95
LED Luminous Flux	24200lm
Luminous Efficacy	>120lm/W
LED Manufacturer	Bridgelux
LED Type	BXCD 45mil
LED Wattage	3 x 70W
No. of LEDs	3
Driver Manufacturer	Philips
Driver Output Voltage DC	30-36V
Total Circuit Power (W)	200W +/-5%
Electrical Class	1
Colour Rendering	>70 CRI
Lamp Viewing Angle	120°
Dimmable	No
Operating Temp.	-15°C to +45°C
Lifespan	50,000 Hours
UGR Rating	22
Diffuser Material	Glass
Housing Material	Aluminum
Housing Colour	Grey
Weight	13Kg

TYPICALLY REPLACES

- 400W metal halide.
- 400W SON.

FEATURES & BENEFITS

- Weather and dust-proof IP65 rated housing.
- Anti-corrosive paint treatment.
- Cast aluminium housing for heat dissipation.
- Optional 360 Degree Bracket.
- Compliant with EN 60598-2-5.