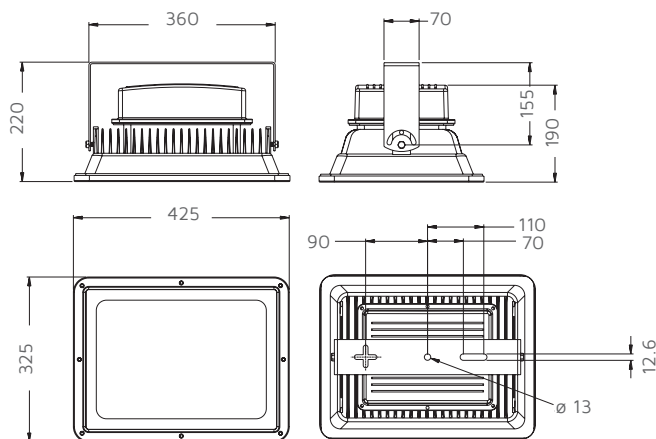


LED HIGH POWER FLOOD LIGHTS
150W
6000K 15480lm



IES Data Files available

DIMENSIONS



All units are in mm

KEY DATA

Power	150W
Luminous Flux	15480lm
Colour Temperature	6000K
IP Rating	IP65
IK Rating	IK08
Dimensions	425 x 325 x 200mm
Warranty	5 Years Extended

Part Number

NET-15-04-13

TECHNICAL SPECIFICATIONS

Input Voltage AC	220-240V
Power Factor	>0.95
LED Luminous Flux	17600lm
Luminous Efficacy	>110lm/W
LED Manufacturer	Bridgelux
LED Type	BXCD 45mil
LED Wattage	2 x 80W
No. of LEDs	2
Driver Manufacturer	Philips
Driver Output Voltage DC	30-36V
Total Circuit Power (W)	150W +/-5%
Electrical Class	1
Colour Rendering	>70 CRI
Lamp Viewing Angle	120°
Dimmable	No
Operating Temp	-15°C to +45°C
Lifespan	50.000 Hours
UGR Rating	22
Diffuser Material	Glass
Housing Material	Aluminium
Housing Colour	Grey
Weight	12.5Kg

TYPICALLY REPLACES

- 250W metal halide.
- 250W SON.

COMPATIBLE ACCESSORIES

360 Degree Bracket 150W

NET-15-16-01



FEATURES & BENEFITS

- Weather and dust-proof IP65 rated housing.
- Anti-corrosive paint treatment.
- Cast aluminium housing for heat dissipation.
- Heavy duty stirrup bracket for secure mounting.
- Optional 360 Degree Bracket.
- Compliant with EN 60598-2-5.