

## NET-39-03-30

Kingston Panel UGR<19 Tunable White 600x600 2700K-6500K 30W



## Features

- Tunable colour temperature 2700K-6500K
- Controllable via app or Dimmable/Scene Switch
- Low glare diffuser with UGR rating <19
- TP(a) flammability-rated diffuser
- PMMA Light Guide path for even light distribution
- Flicker-free driver
- Engineered back plate for rigidity

## Key Data

---

Power	30W
-------	-----

---

<b>Luminous Flux</b>	3300lm
<b>Colour Temperature</b>	Tunable 2700K-6500K
<b>IP Rating</b>	IP40 Front/IP20 Rear
<b>Dimensions</b>	595 x 595 x 10mm
<b>Warranty</b>	5 Years (Registration Required)

## Technical Specifications

<b>Input Voltage AC</b>	220-240V
<b>Power Factor</b>	>0.95
<b>Luminaire Efficacy</b>	110lm/W
<b>LED Type</b>	SMD 4014
<b>No. of LEDs</b>	240
<b>Driver Manufacturer</b>	Tridonic Advanced Series
<b>Total Circuit Power (W)</b>	30W
<b>Electrical Class</b>	3
<b>Colour Rendering</b>	>80 CRI
<b>Lamp Viewing Angle</b>	95°
<b>Dimmable</b>	Yes
<b>Flicker Free</b>	Yes
<b>Operating Temp.</b>	0°C to +45°C
<b>Lifespan LM80</b>	50,000 Hours
<b>UGR Rating</b>	Less than 19
<b>Diffuser Flammability Rating</b>	TP(a)
<b>Diffuser/LGP Material</b>	PC/PMMA

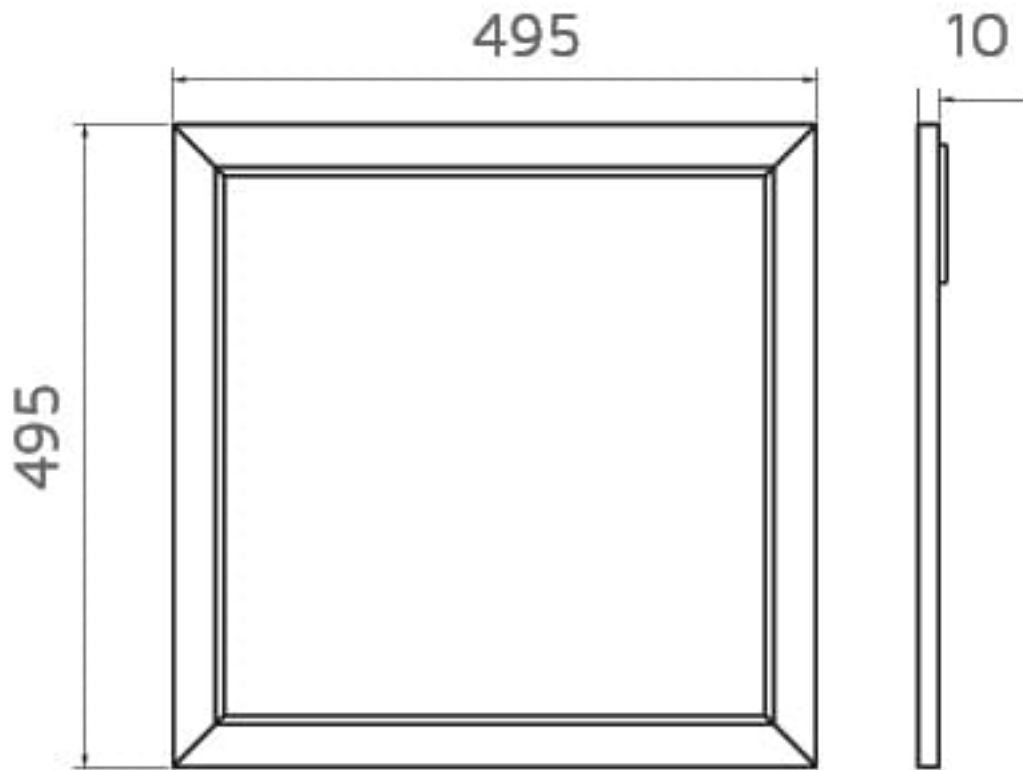


<b>Frame Colour</b>	White
<b>Weight</b>	2.9Kg
<b>Driver Output Voltage DC</b>	33-42V
<b>Manufacturer</b>	Lumlux Corp.



NET LED Limited Buckingway Business Park  
300 Anderson Road Cambridge CB24 4UQ

T 01223 851505  
F 01223 851506  
sales@netled.co.uk  
www.netled.co.uk



All units are in mm